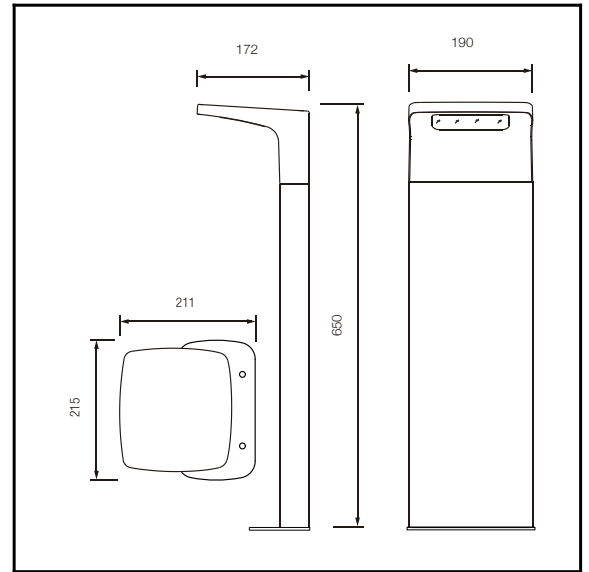




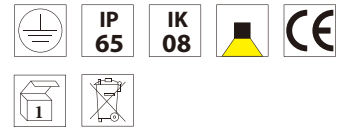
The photograph may not match the reference exactly. Please read the product description to identify the finish.



C-142

TECHNICAL CHARACTERISTICS

Product Model:	C-142
IP Protection degrees:	IP65
IK Protection degrees:	IK08
Light source:	60 x SMD 2835
Total power consumption:	11.5W
Luminous Flux:	690Lm
Luminous efficiency:	60Lm/w
Color temperature:	4000K as standard. Optinal 2700K, 3000K & 5700K. Amber LED available
Voltage/Frequency:	100-240V/50-60Hz
Warranty(Years):	3
Units per box:	1
Net Weight(Kg)	2.8



MATERIALS / FINISHES

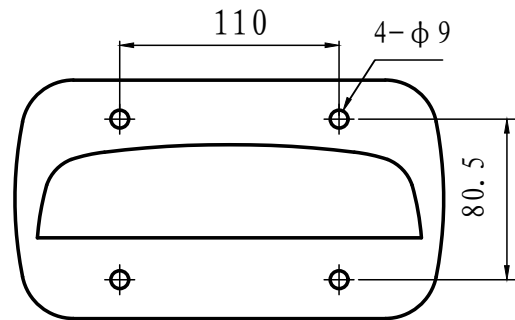
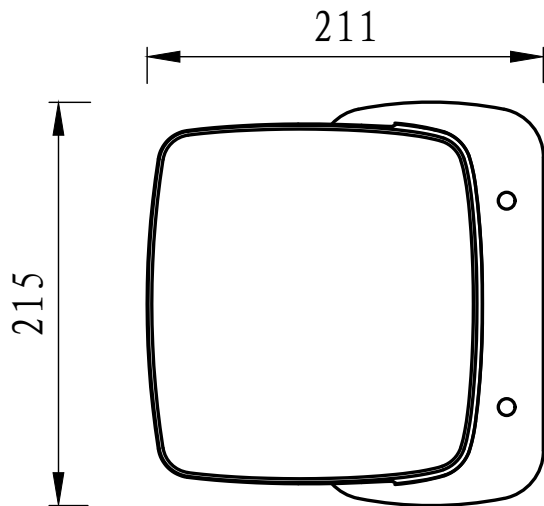
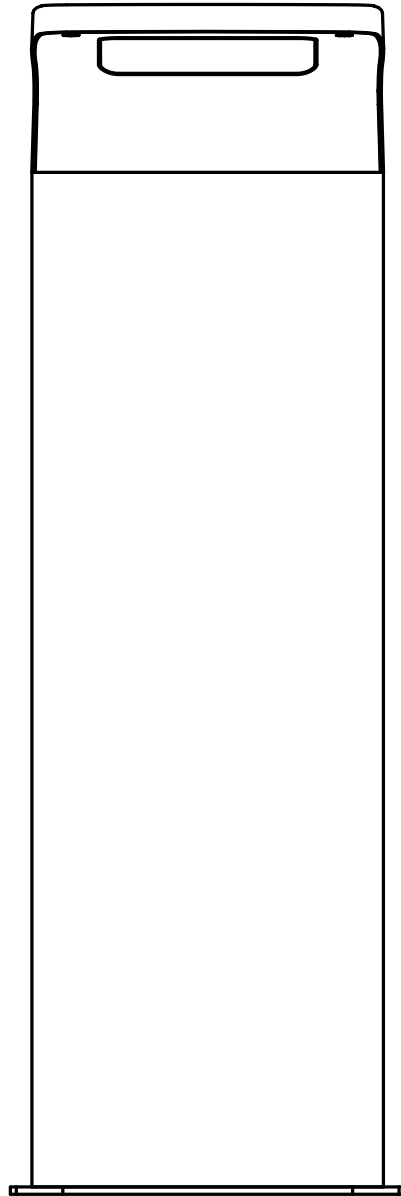
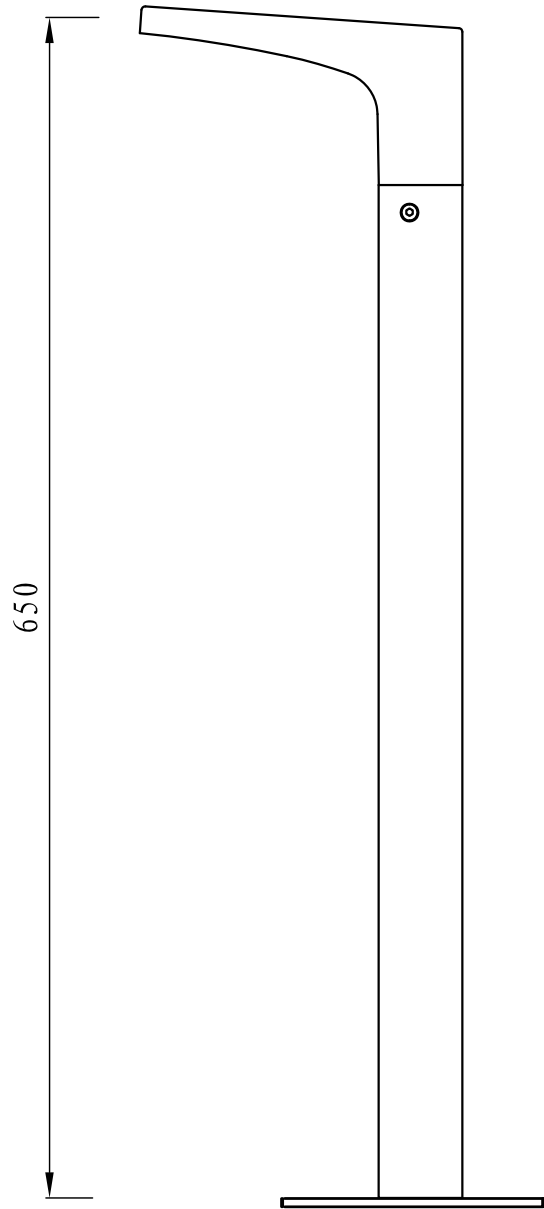
Structure material: High purity aluminium	aiffuser material: PC
Structure finish: Grey	Diffuser finish: Matt

GEAR

Multi-voltage electronic gear included (110-240 V / 50-60 Hz)

Lm^(N): Nominal flow of light in actual working conditions. Its actual flow will depend on the environmental conditions and the efficiency of the optics and/or diffuser.

High purity aluminum



Installation template