

The photograph may not match the reference exactly.
Please read the product description to identify the finish.

TECHNICAL CHARACTERISTICS



Product Model:	D-34LED40-16	D-34LED60-24	D-34LED80-32	D-34LED40-56	D-34LED60-84
IP Protection degrees:	IP66				
IK Protection degrees:	IK09				
Light source:	16 x LED CREE / 16 x LUXEON 5050	24 x LED CREE / 24 x LUXEON 5050	32 x LED CREE / 32 x LUXEON 5050	56 x LUXEON 3030	84 x LUXEON 3030
Total power consumption:	40W	60W	80W	40W	60W
Luminous Flux:	4000-5600Lm	6000-8400Lm	8000-11200Lm	4000-5600Lm	6000-8400Lm
Luminous efficiency:	100-140Lm/w				
Color temperature:	4000K as standard. Optimal 2700K, 3000K & 5700K. Amber LED available				
Voltage/Frequency:	110-240V/50-60Hz				
Warranty(Years):	5				
Units per box:	1				
Net Weight(Kg)	11.6	11.8	12	11.6	11.8
Aerodynamic resistance (CxS)	0.245				

MATERIALS / FINISHES

Structure material: High purity aluminium	aiffuser material: Glass
Structure finish: Black	Diffuser finish: Transparent

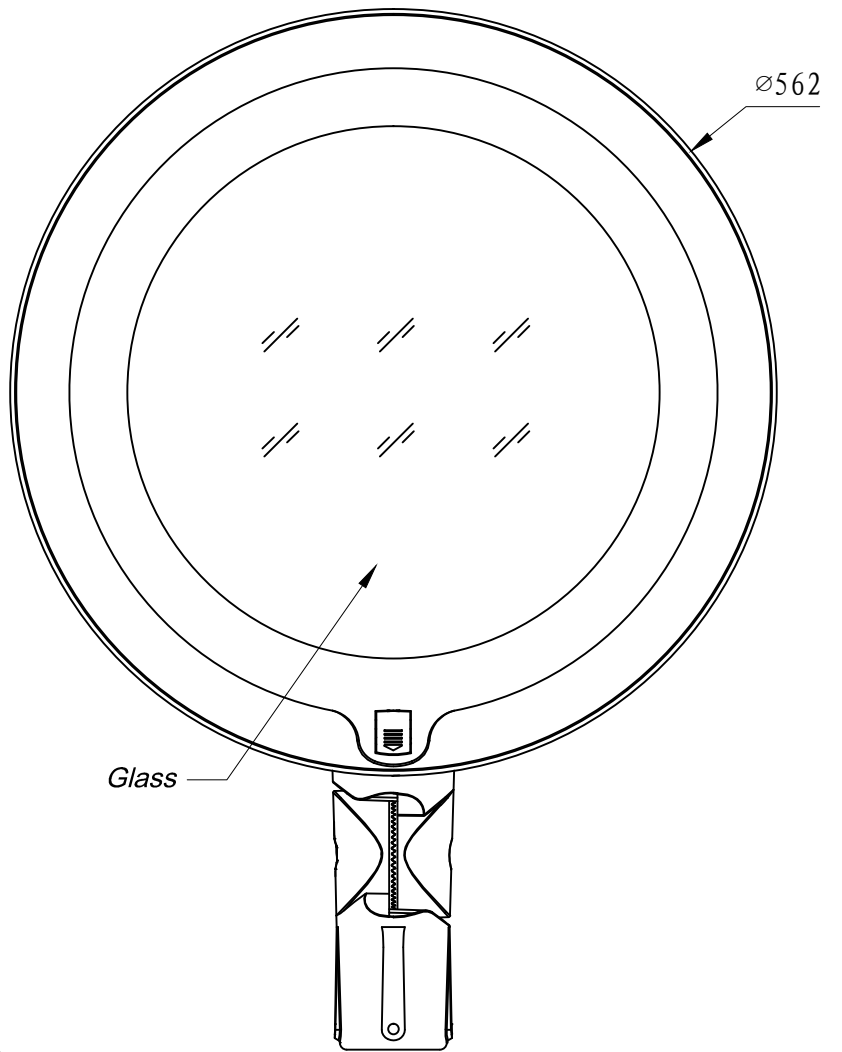
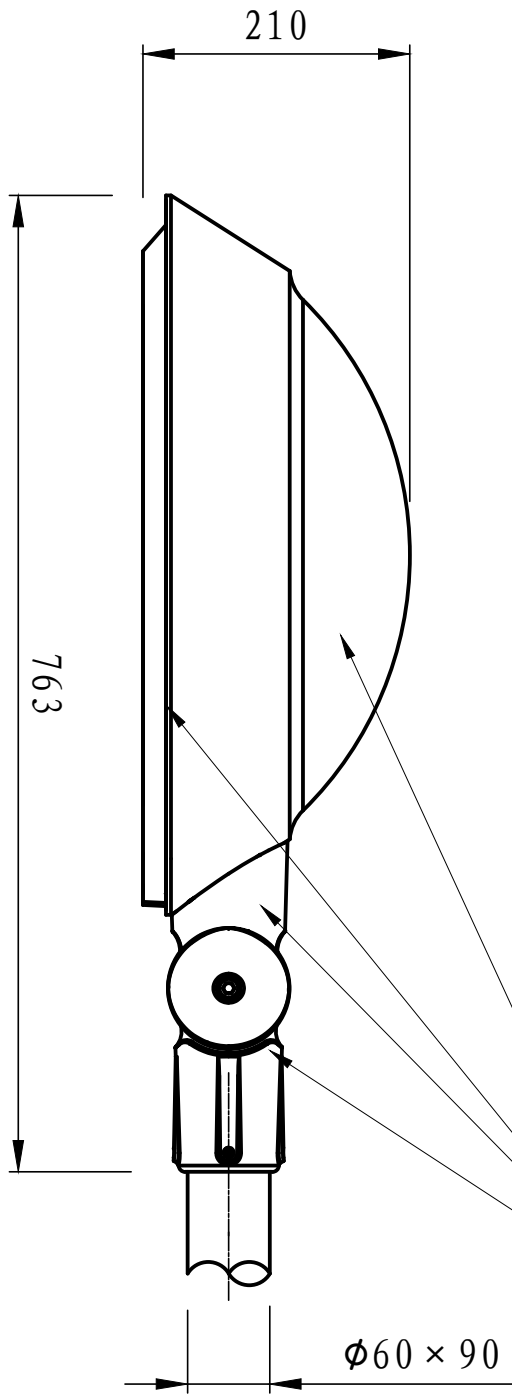
GEAR

Multi-voltage electronic gear included (100-240 V / 50-60 Hz)

Lm^(N): Nominal flow of light in actual working conditions. Its actual flow will depend on the environmental conditions and the efficiency of the optics and/or diffuser.

Kled reserves the right to make the necessary technical changes they deem adequate, in order to improve the features of the product.
Please consult the sales team to clarify any doubt.

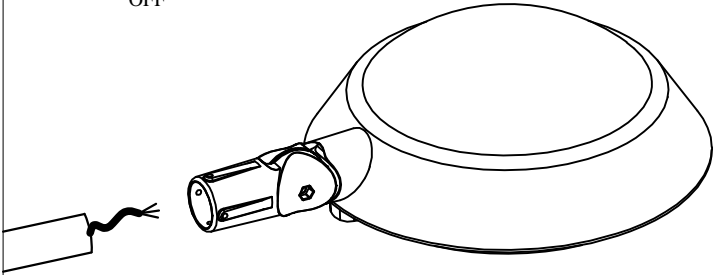
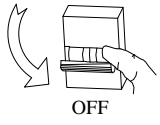
Tel.: +86 574 62566 890
Email: info@kled.com.cn
http://www.kled.com.cn/



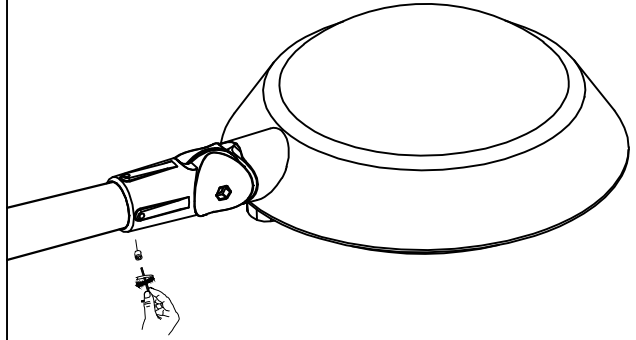
High purity aluminum

OUTDOOR

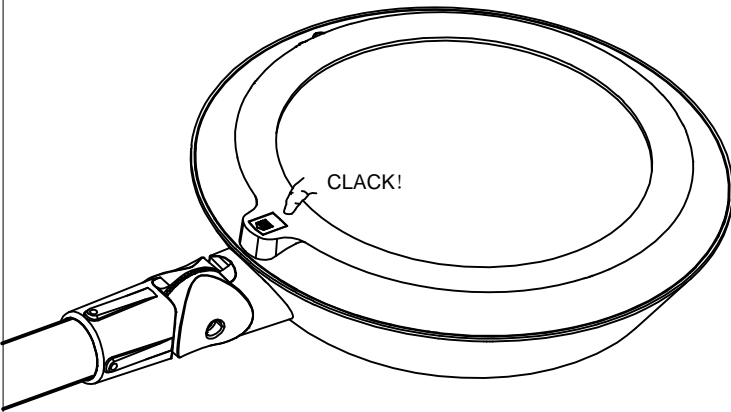
①



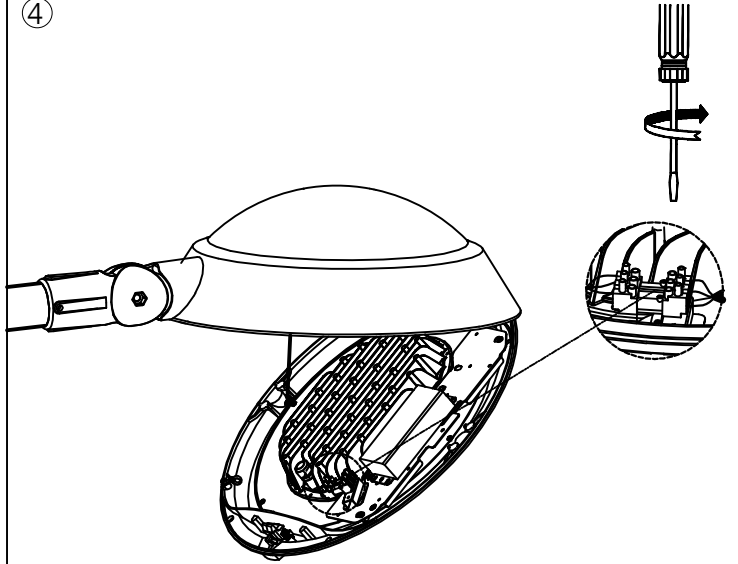
②



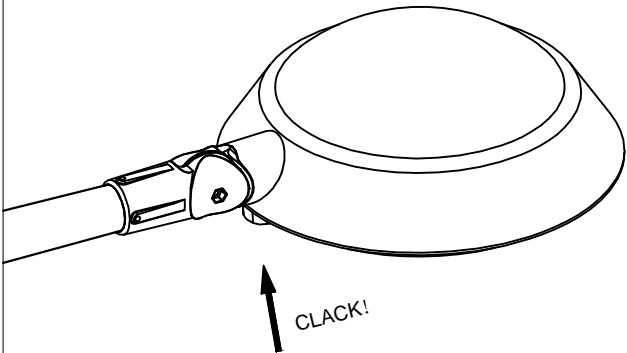
③



④



⑤



⑥

