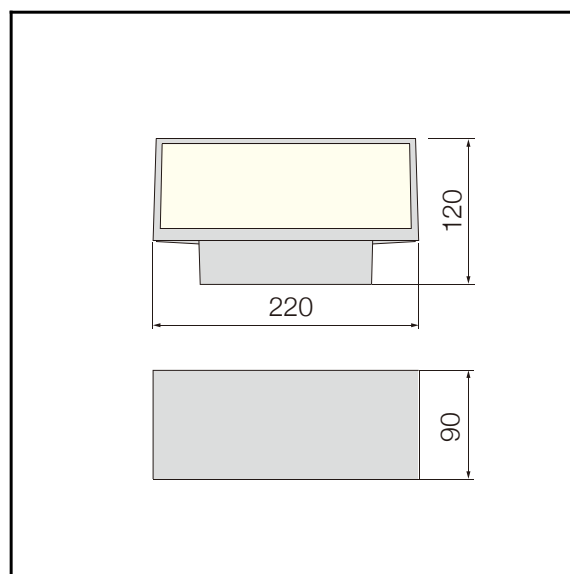




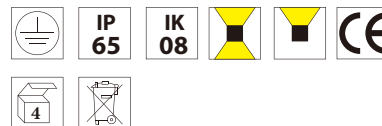
The photograph may not match the reference exactly.
Please read the product description to identify the finish.



B-03

TECHNICAL CHARACTERISTICS

Type:	Wall lighting
IP Protection degrees:	IP65
IK Protection degrees:	IK08
Light source 1:	18 x LED 2835 White - 3000K/4200K
Total power consumption (W):	9
Voltage / Frequency:	100-240V/50-60Hz
Warranty (Years):	3
Units per box:	4
Net Weight (Kg):	1.6



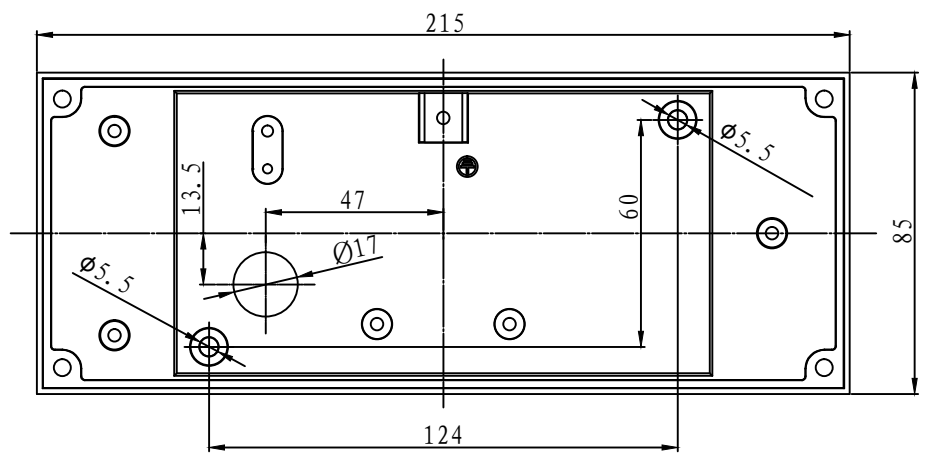
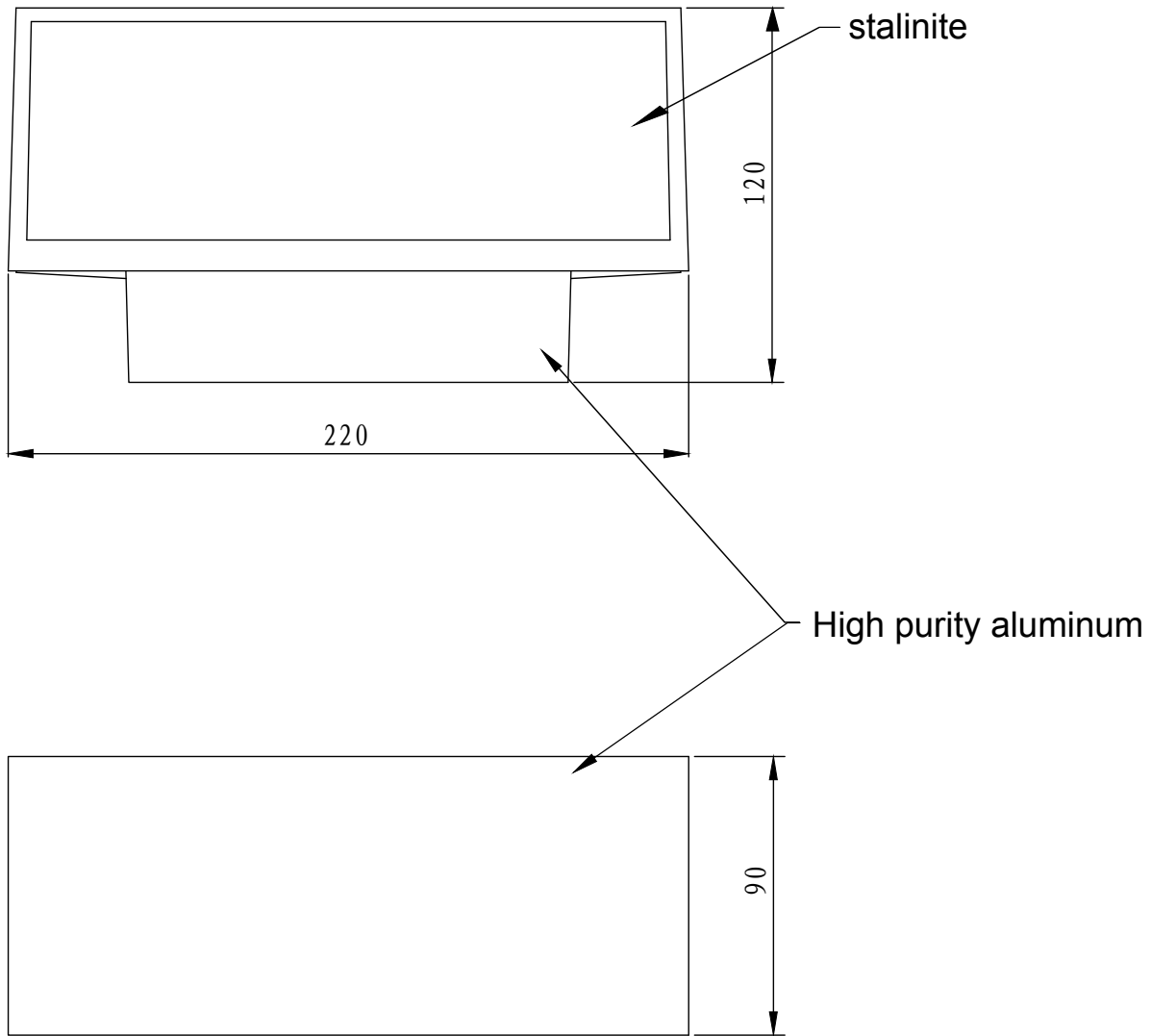
MATERIALS / FINISHES

Structure material: High purity aluminium	aiffuser material: stalinite
Structure finish: Black	Diffuser finish: Matt

GEAR

Multi-voltage electronic gear included (110-240 V / 50-60 Hz)

Lm^(N): Nominal flow of light in actual working conditions. Its actual flow will depend on the environmental conditions and the efficiency of the optics and/or diffuser.



Installation template