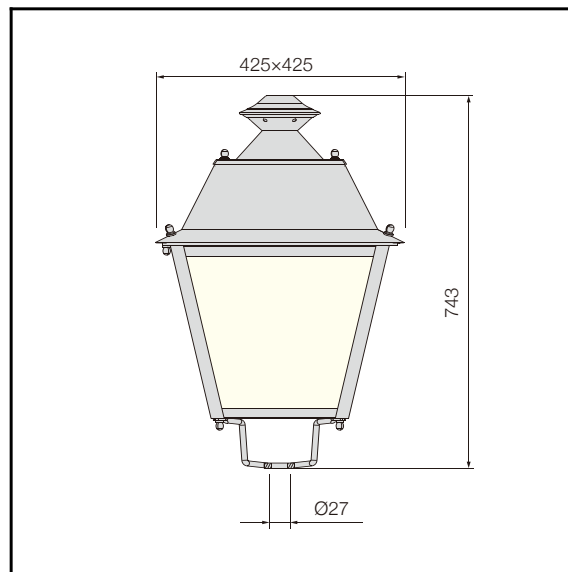


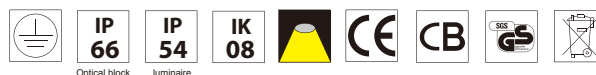


The photograph may not match the reference exactly. Please read the product description to identify the finish.



**T-75MN LED**

**TECHNICAL CHARACTERISTICS**



Product Model:	T-75MNLED30-12	T-75MNLED40-16	T-75MNLED60-24	T-75MNLED80-32	T-75MNLED40-56	T-75MNLED60-84
IP Protection degrees:	IP66					
IK Protection degrees:	IK08					
Light source:	12 x LED CREE / 12 x LUXEON 5050	16 x LED CREE / 16 x LUXEON 5050	24 x LED CREE / 24 x LUXEON 5050	32 x LED CREE / 32 x LUXEON 5050	56 x LUXEON 3030	84 x LUXEON 3030
Total power consumption:	30W	40W	60W	80W	40W	60W
Luminous Flux:	2400-3300Lm	3200-4400Lm	4800-6600Lm	6400-8800Lm	4200Lm	6300Lm
Luminous efficiency:	80-110Lm/w					
Color temperature:	4000K as standard. Optimal 2700K, 3000K & 5700K. Amber LED available					
Voltage/Frequency:	100-240V/50-60Hz					
Warranty(Years):	5					
Units per box:	1					
Net Weight(Kg)	8.8	8.9	9	9	8.9	9
Aerodynamic resistance (CxS)	0.19					

**MATERIALS / FINISHES**

<b>Structure material:</b> Galvanized iron	<b>aiffuser material:</b> Glass
<b>Structure finish:</b> Black	<b>Diffuser finish:</b> Transparent

**GEAR**

Multi-voltage electronic gear included (100-240 V / 50-60 Hz)

Lm<sup>(N)</sup>: Nominal flow of light in actual working conditions. Its actual flow will depend on the environmental conditions and the efficiency of the optics and/or diffuser.

Kled reserves the right to make the necessary technical changes they deem adequate, in order to improve the features of the product. Please consult the sales team to clarify any doubt.

Tel.: +86 574 62566 890  
Email: info@kled.com.cn  
http://www.kled.com.cn/

