

The photograph may not match the reference exactly. Please read the product description to identify the finish.

**TECHNICAL CHARACTERISTICS**



Product Model:	T-231ALED50	T-231BLED100	T-231CLEd150
IP Protection degrees:	IP66		
IK Protection degrees:	IK09		
Light source:	18 x LUXEON 5050	36 x LUXEON 5050	54 x LUXEON 5050
Total power consumption:	50W	100W	150W
Luminous Flux:	6000Lm	12000Lm	18000Lm
Luminous efficiency:	120Lm/w	120Lm/w	120Lm/w
Color temperature:	4000K as standard. Optinal 2700K,3000K & 5700K. Amber LED available		
Voltage/Frequency:	100-240V/50-60Hz		
Warranty(Years):	5		
Units per box:	1		
Net Weight(Kg)	H200: 20.5KG/H250: 25.5KG / H270: 27KG/H350: 31KG/H400: 34KG/H450: 38KG		

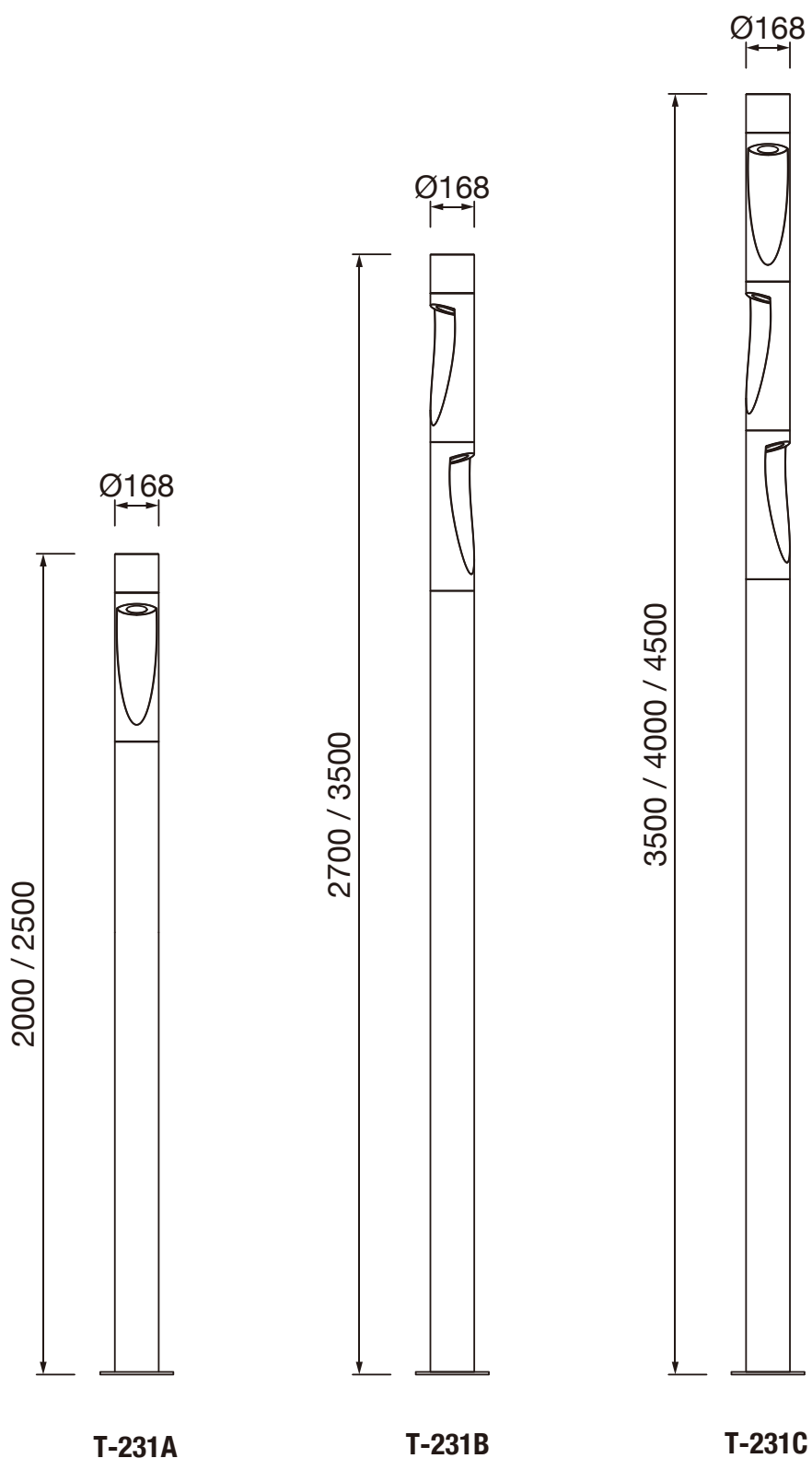
**MATERIALS / FINISHES**

<b>Structure material:</b> High purity aluminium	<b>diffuser material:</b> PC diffuser
<b>Structure finish:</b> Black	<b>Diffuser finish:</b> Matt

**GEAR**

Multi-voltage electronic gear included (100-240 V / 50-60 Hz)

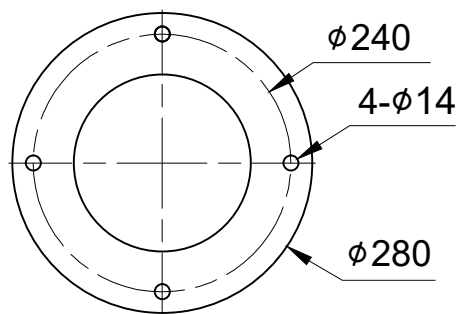
Lm<sup>(N)</sup>: Nominal flow of light in actual working conditions. Its actual flow will depend on the environmental conditions and the efficiency of the optics and/or diffuser.



**T-231A**

**T-231B**

**T-231C**



**Installation template**

# OUTDOOR

