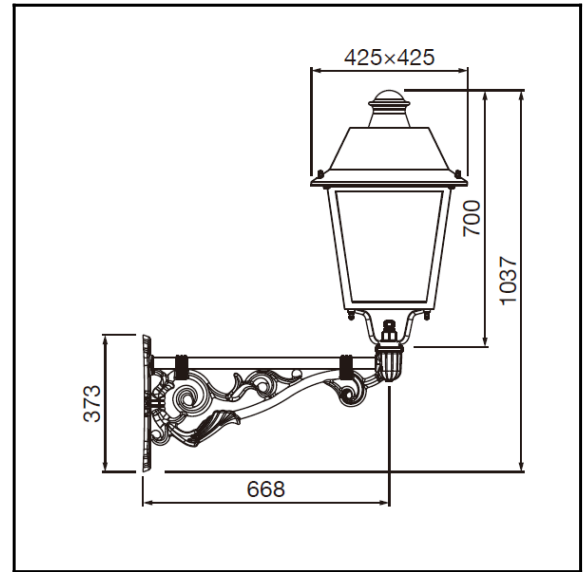




The photograph may not match the reference exactly. Please read the product description to identify the finish.



T-75MW LED

TECHNICAL CHARACTERISTICS



Product Model:	T-75MWLED30-12	T-75MWLED60-24	T-75MWLED40-16	T-75MWLED80-32	T-75MWLED40-56B	T-75MWLED60-84B
IP Protection degrees:	IP66	IP66	IP66	IP66	IP66	IP66
IK Protection degrees:	IK08	IK08	IK08	IK08	IK08	IK08
Light source:	12 x LED CREE / 12 x LUXEON 5050	24 x LED CREE / 24 x LUXEON 5050	16 x LED CREE / 16 x LUXEON 5050	32 x LED CREE / 32 x LUXEON 5050	56 x LED CREE / 56 x LUXEON 5050	84 x LED CREE / 84 x LUXEON 5050
Total power consumption:	30W	60W	40W	80W	40W	60W
Luminous Flux:	37500-4000Lm	7500-8100Lm	5000-5400Lm	10000-10800Lm	5000-5400Lm	7500-8100Lm
Luminous efficiency:	125-135Lm/w					
Color temperature:	4000K as standard. Optimal 2700K, 3000K & 5700K. Amber LED available					
Voltage/Frequency:	100-240V/50-60Hz					
Warranty(Years):	5					
Units per box:	1					
Net Weight(Kg)	14	14.2	14.2	14.3	14.2	14.2

MATERIALS / FINISHES

Structure material: High purity aluminium	aiffuser material: Glass
Structure finish: Black	Diffuser finish: Transparent

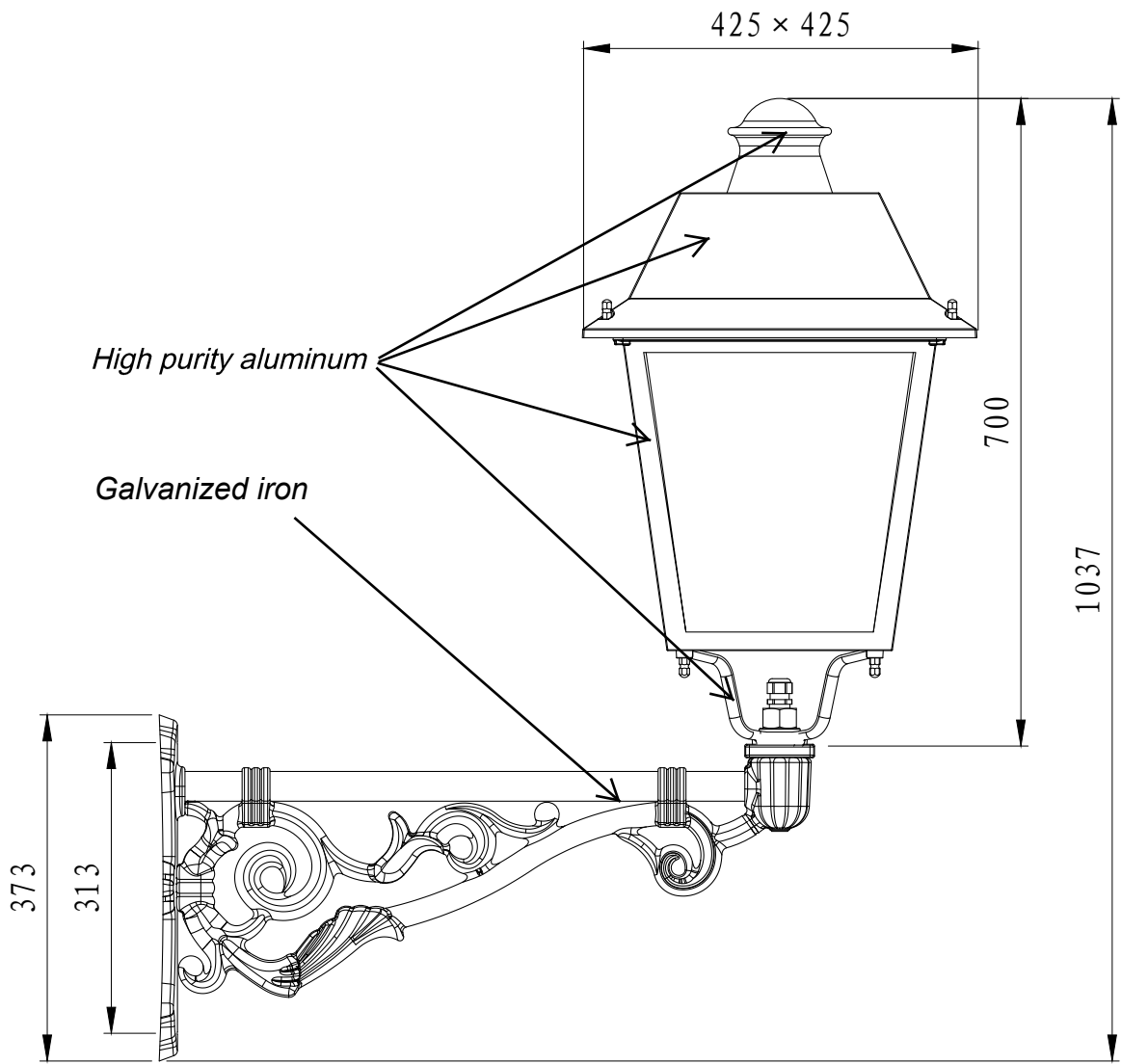
GEAR

Multi-voltage electronic gear included (100-240 V / 50-60 Hz)

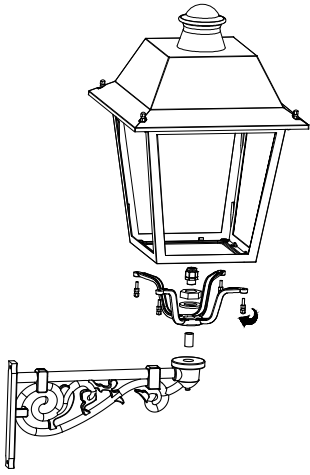
Lm^(N): Nominal flow of light in actual working conditions. Its actual flow will depend on the environmental conditions and the efficiency of the optics and/or diffuser.

Kled reserves the right to make the necessary technical changes they deem adequate, in order to improve the features of the product. Please consult the sales team to clarify any doubt.

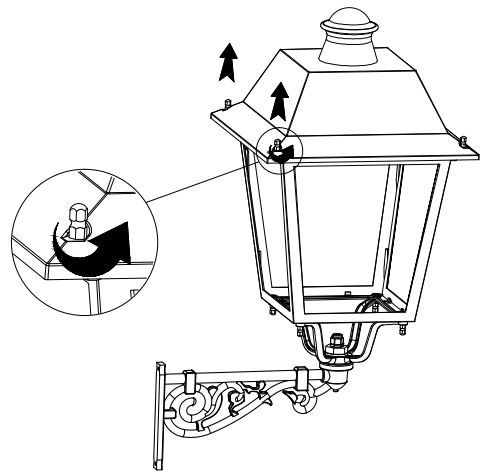
Tel.: +86 574 62566 890
Email: info@kled.com.cn
<http://www.kled.com.cn/>



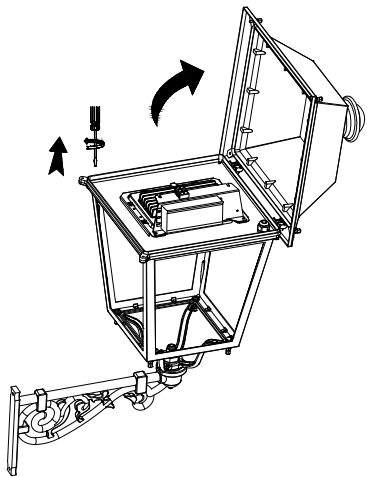
1



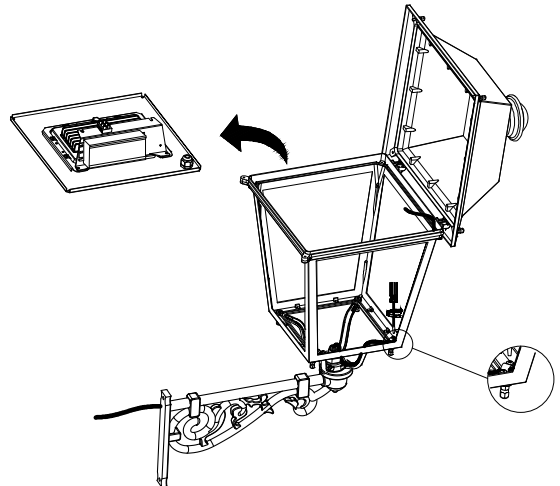
2



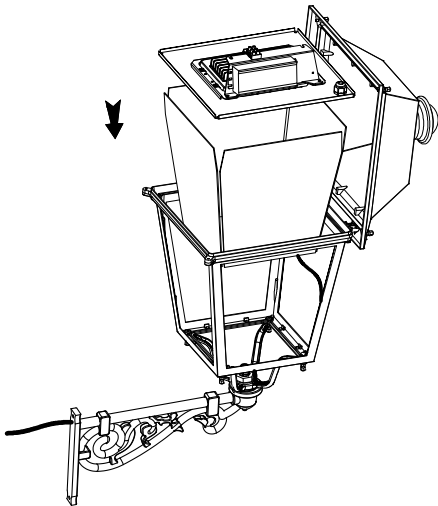
3



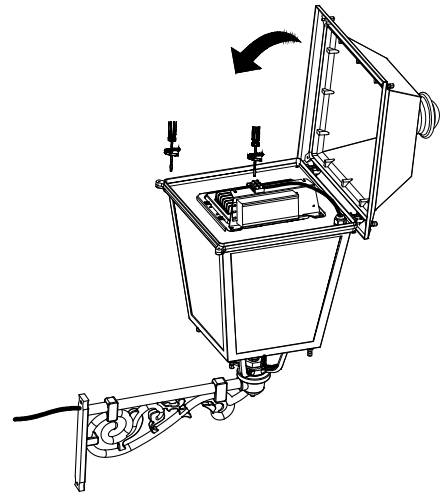
4



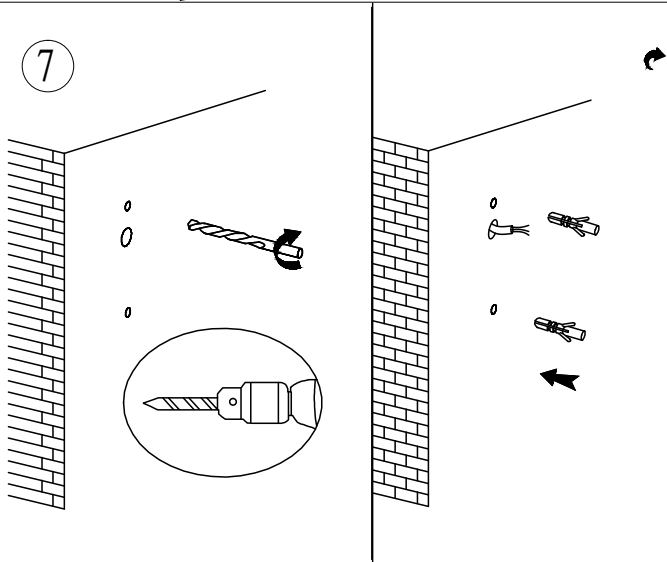
5



6



7



8

