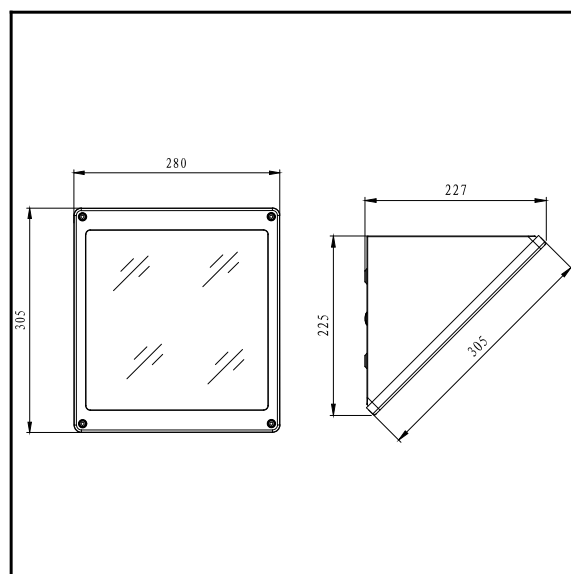




The photograph may not match the reference exactly. Please read the product description to identify the finish.



**TECeNfCAi CoeARACTERfSTfCS**



Product Model:	B-201LED26-132
IP Protection degrees:	IP65
IK Protection degrees:	IK08
Light source:	132x SMD 2835
Total power consumption:	25W
Luminous Flux:	2210Lm
Luminous efficiency:	80~100Lm/w
Color temperature:	4000K as standard.Optinal 2700K,3000K & 5700K. Amber LED available
Voltage/Frequency:	100-240V/50-60Hz
Warranty(Years):	3
Units per box:	1
Net Weight(Kg)	3.6

**MATERIALS / FINISHES**

<b>Structure material:</b> High purity aluminium	<b>Diffuser material:</b> Glass
<b>Structure finish:</b> Silver	<b>Diffuser finish:</b> Transparent

**GEAR**

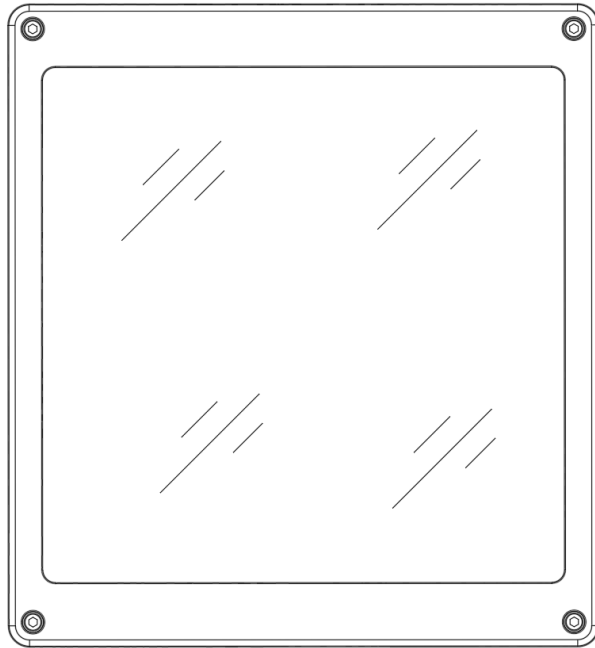
Multi-voltage electronic gear included (110-240 V / 50-60 Hz)

Lm<sup>(N)</sup>: Nominal flow of light in actual working conditions. Its actual flow will depend on the environmental conditions and the efficiency of the optics and/or diffuser.

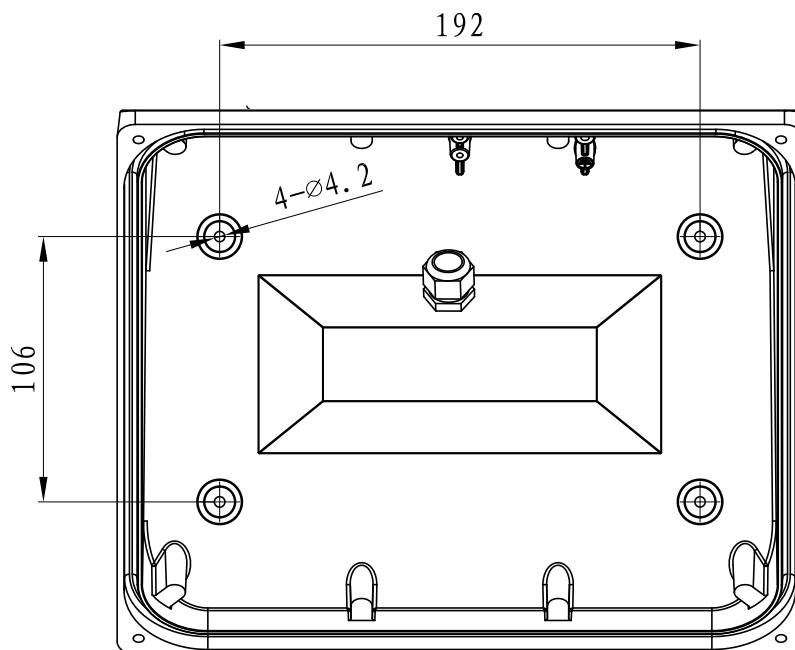
Kled reserves the right to make the necessary technical changes they deem adequate, in order to improve the features of the product.  
Please consult the sales team to clarify any doubt.

Tel.: +86 574 62566 890  
Email: info@kled.com.cn  
http://www.kled.com.cn/

High purity aluminum



Tempered glass



installation template