

The photograph may not match the reference exactly. Please read the product description to identify the finish.

**TECHNICAL CHARACTERISTICS**



Product Model:	D-211-LED60-1M	D-211-LED120-2M	D-211-LED150-3M	D-211-LED180-3M	D-211-LED240-4M
IP Protection degrees	IP66				
IK Protection degrees	IK10				
Light source:	28 x LUXEON 5050	56 x LUXEON 5050	84x LUXEON 5050	84x LUXEON 5050	112x LUXEON 5050
Total power consumpt	60W	120W	150W	180W	240W
Luminous Flux:	9600-10200Lm	19200-20400Lm	21750Lm	28800-30600Lm	38400-40800Lm
Luminous efficiency:	160-170Lm/w				
Color temperature:	4000K as standard. Optinal 2700K,3000K & 5700K. Amber LED available				
Voltage/Frequency:	100-240V/50-60Hz				
Warranty(Years):	5				
Units per box:	1				
Net Weight(Kg)	6.3	7.2	8.2	8.2	9.3
Aerodynamic resistan	0.14	0.17	0.19	0.19	0.22

**MATERIALS / FINISHES**

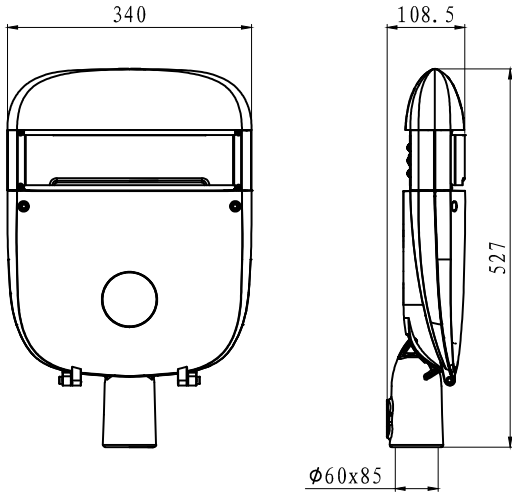
<b>Structure material:</b> High purity aluminium	<b>Aiffuser material:</b> PC
<b>Structure finish:</b> Silver	<b>Diffuser finish:</b> Transparent

**GEAR**

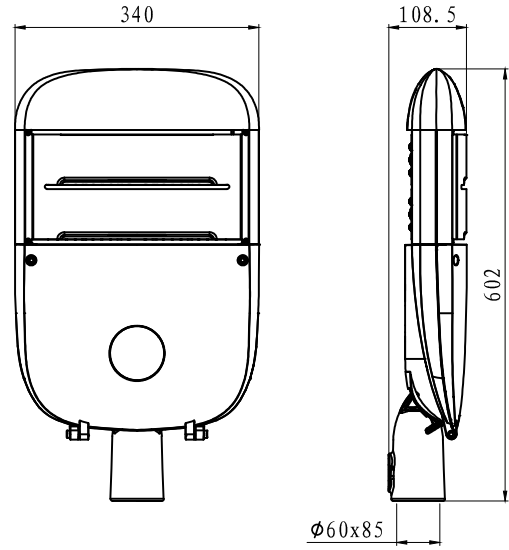
Multi-voltage electronic gear included (100-240 V / 50-60 Hz)

Lm<sup>(N)</sup>: Nominal flow of light in actual working conditions. Its actual flow will depend on the environmental conditions and the efficiency of the optics and/or diffuser.

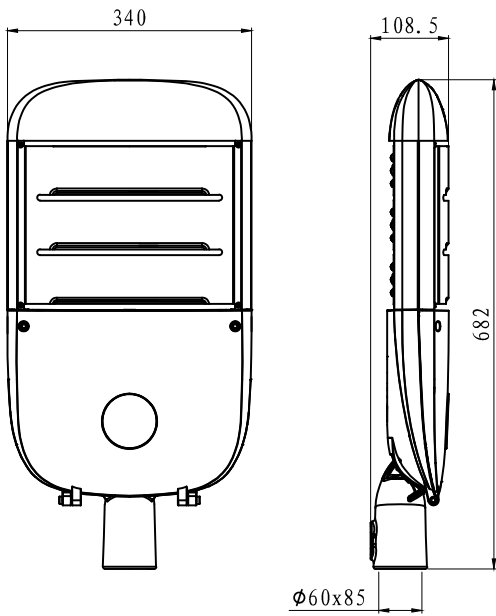
D-211-LED60-1M



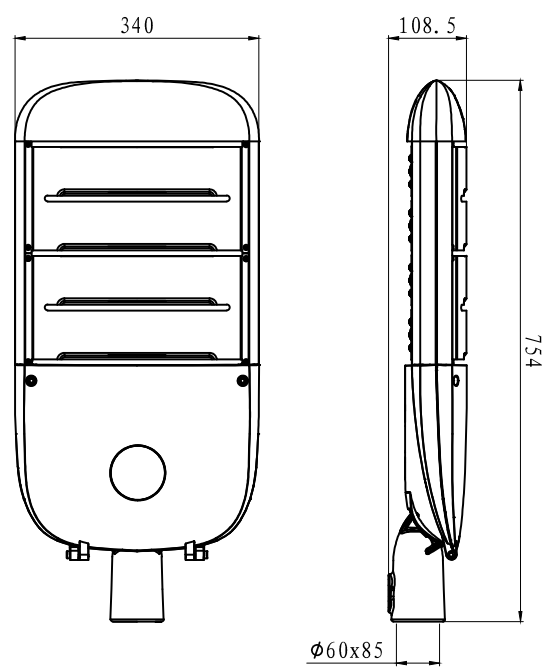
D-211-LED120-2M



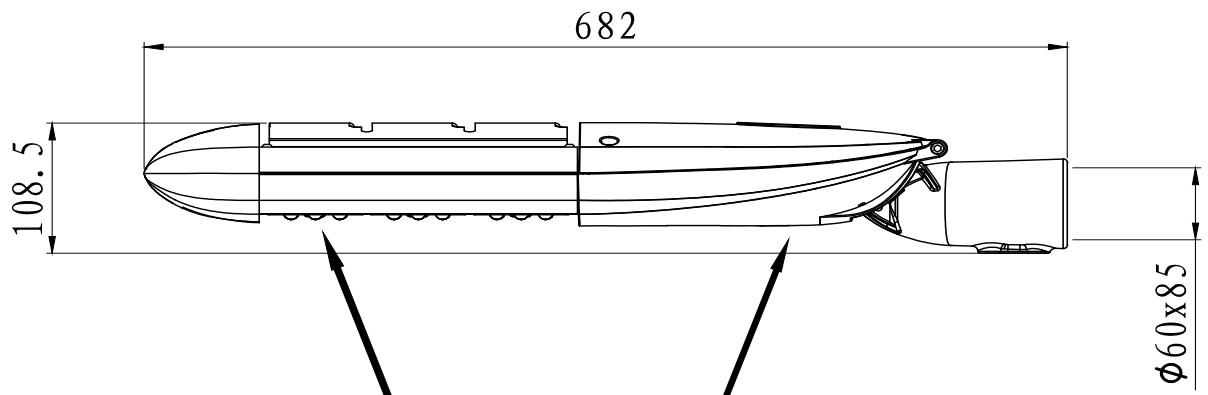
D-211-LED180-3M



D-211-LED240-4M

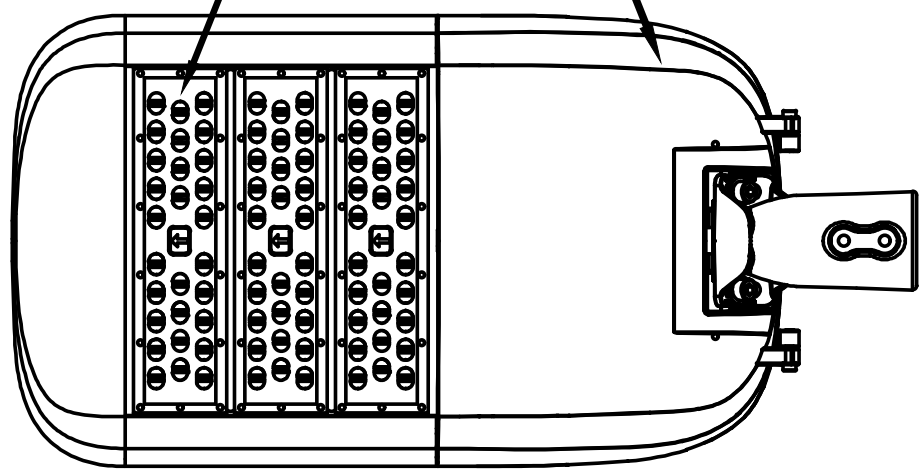


Installation template



High purity aluminum

Led Module



Installation template