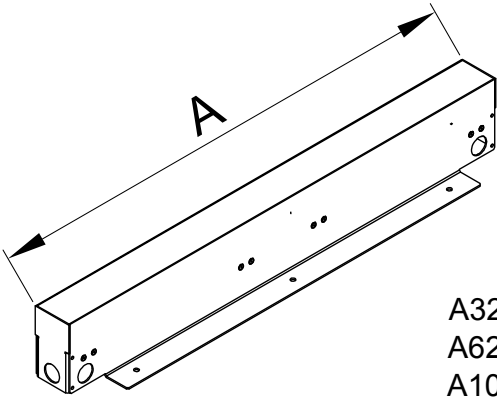


# OUTDOOR

①

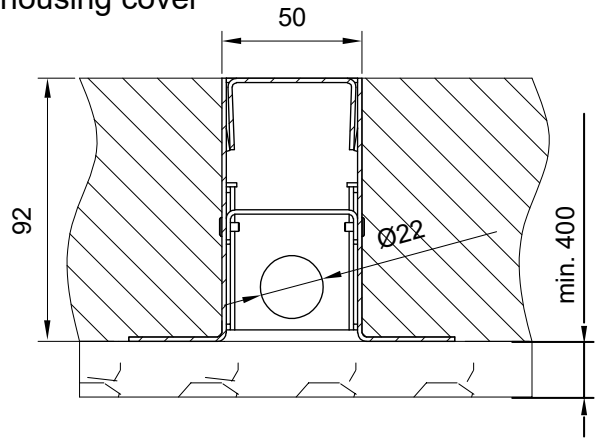
HOUSING



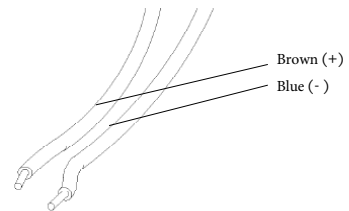
A324  
A624  
A1000

②

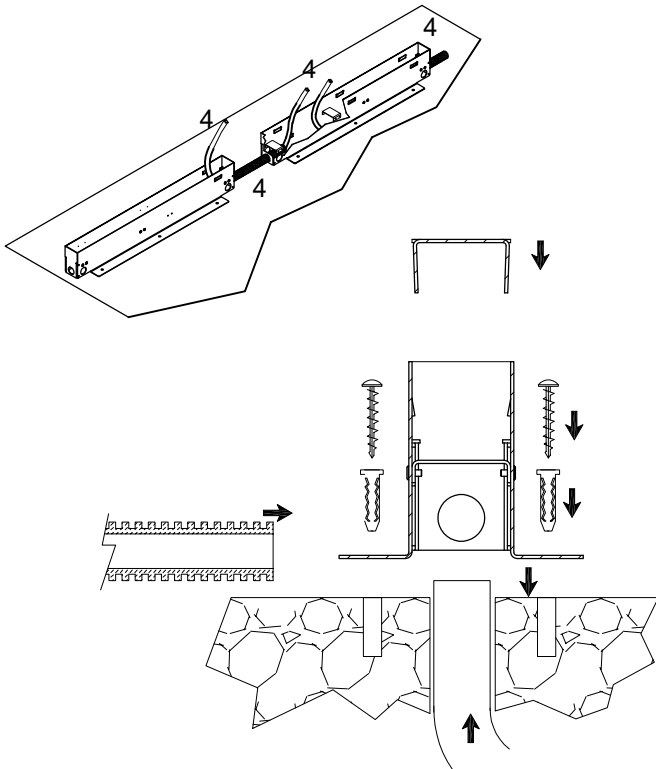
housing cover



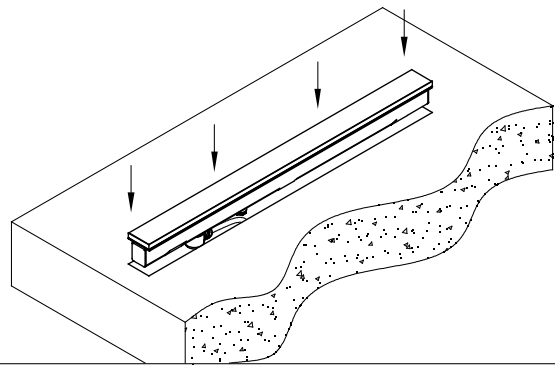
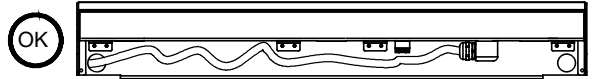
CABLE WIRING MARKINGS



③



④



Supply cable  
connection  
Fixture cable  
Insulate electrical connections with electrical insulation tape or thermo shrink

Note: for wet location use IP68 connector