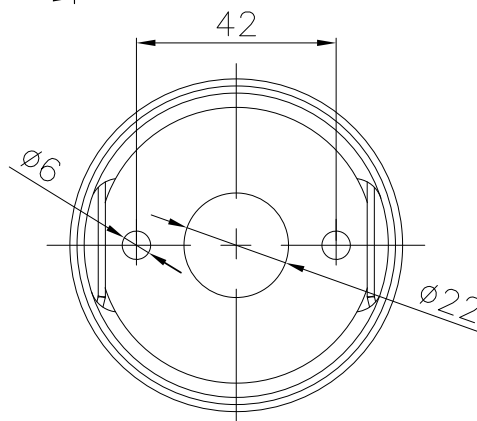
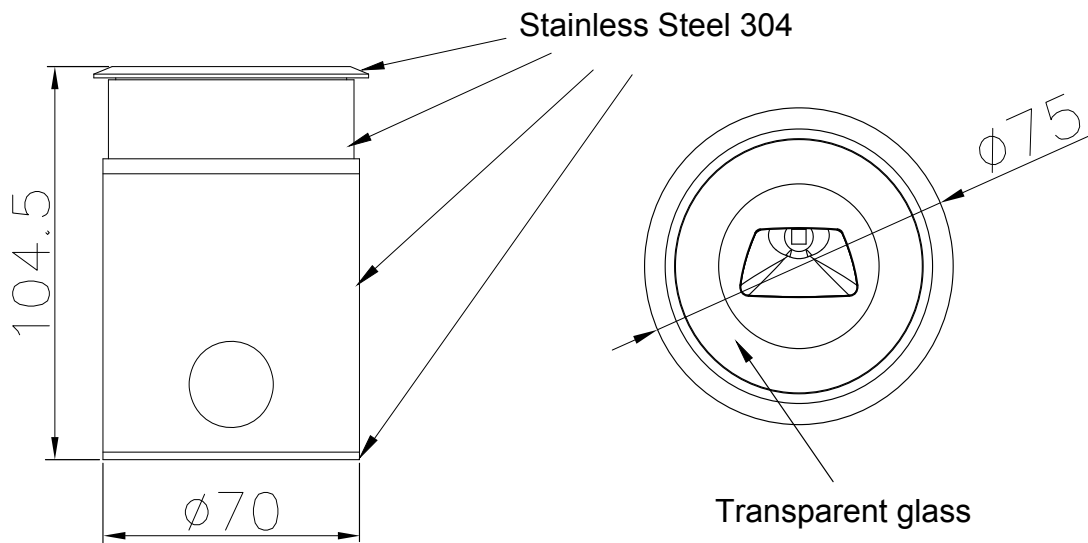
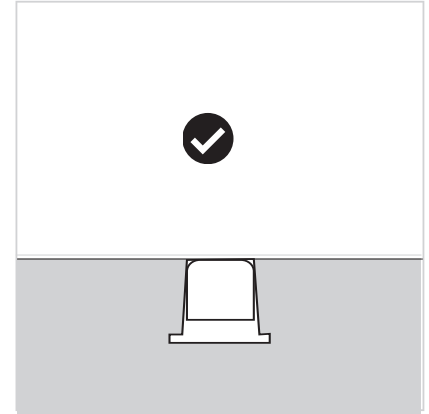




M-215



Product Model:	M-215LED6
IP Protection degrees:	IP67
IK Protection degrees:	IK09
Light source:	1x XHP35 HI
Total power consumption:	6W
Luminous Flux:	540-600Lm
Luminous efficiency:	90-100LM/W
Color temperature:	4000K as standard. Optimal 2700K,3000K . Amber LED available
Voltage/Frequency:	DC24V
Warranty(Years):	5
Units per box:	1
Net Weight(Kg)	0.8
Aerodynamic resistance (CxS)	0.091



Installation template

