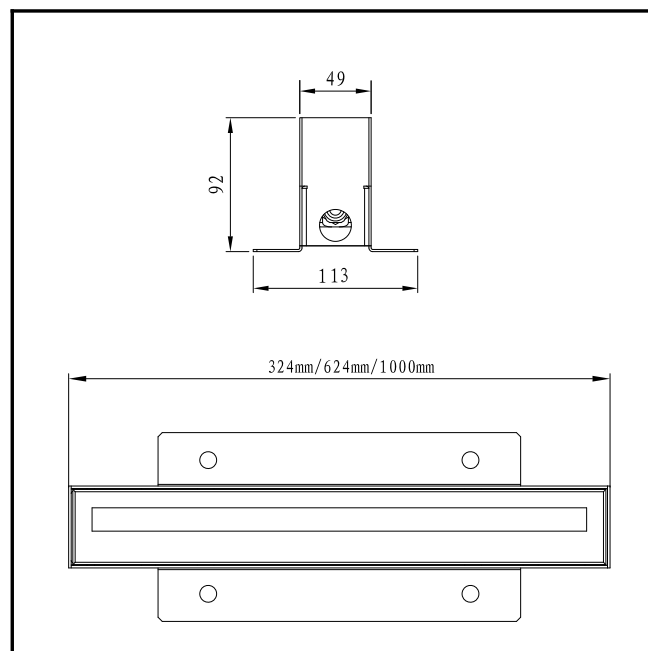




M-212



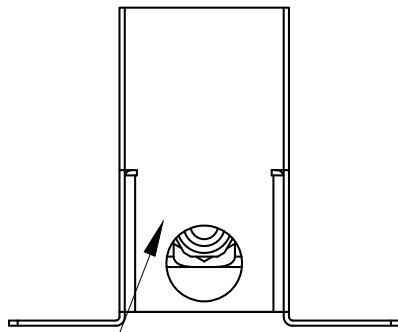
Product Model:	M-211L324-LED7-36	M-211L624-LED14-72	M-211L1000-LED21-114
IP Protection degrees:	IP67		
IK Protection degrees:	IK09		
Light source:	36 x SMD 3014	72x SMD 3014	114x SMD 3014
Total power consumption	7W	14W	21W
Luminous Flux:	230-280Lm	420-560Lm	630-840Lm
Luminous efficiency:	30-40Lm/w		
Color temperature:	4000K as standard. Optinal 2700K,3000K & 5700K. Amber LED available		
Voltage/Frequency:	24V DC		
Warranty(Years):	5		
Units per box:	1		
Net Weight(Kg)	2.1	4.1	6.5



Lm^(N): Nominal flow of light in actual working conditions. Its actual flow will depend on the environmental conditions and the efficiency of the optics and/or diffuser.

Kled reserves the right to make the necessary technical changes they deem adequate, in order to improve the features of the product.
Please consult the sales team to clarify any doubt.

Tel.: +86 574 62566 890
Email: info@kled.com.cn
http://www.kled.com.cn/

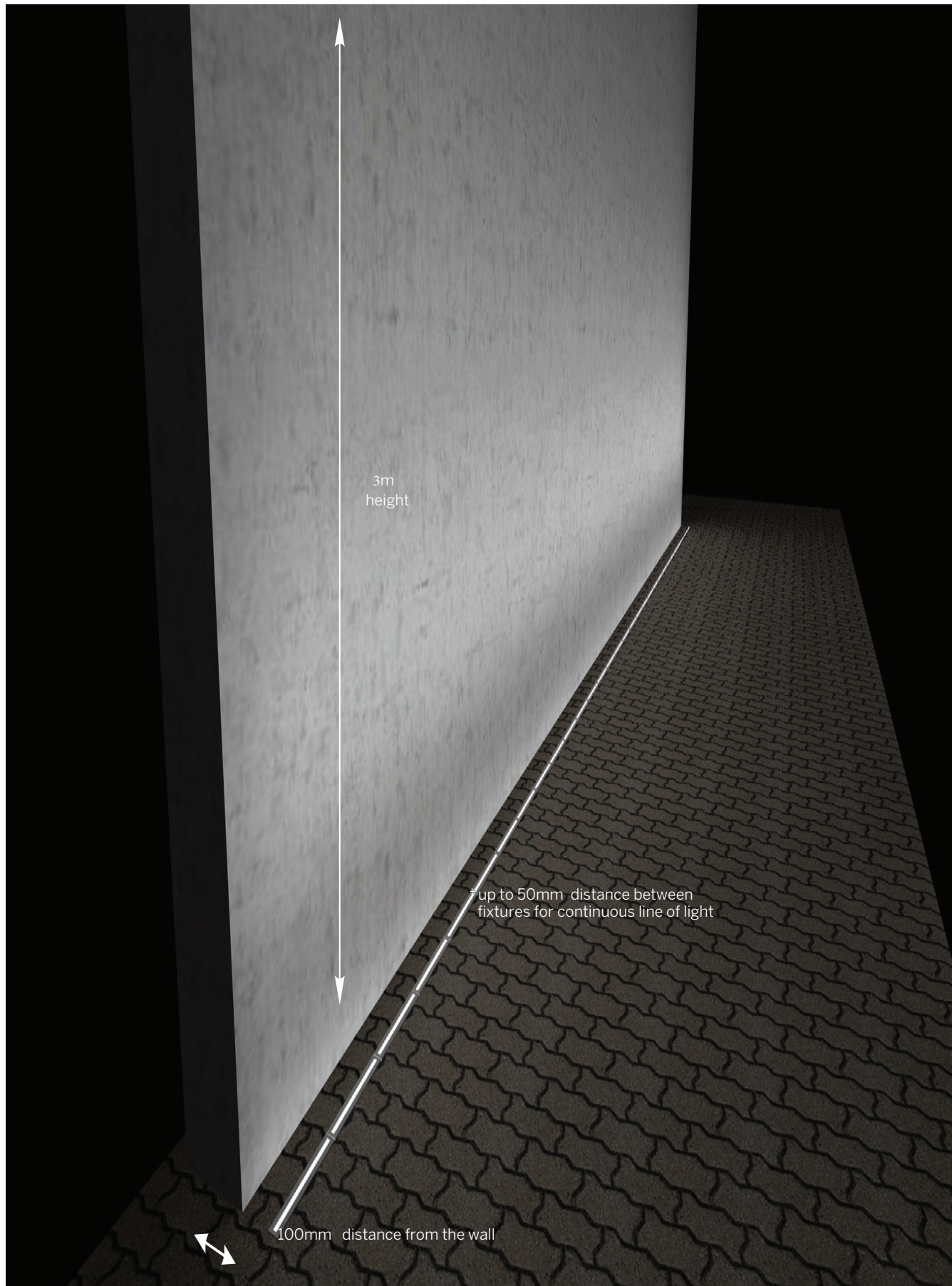


Stainless Steel 304



Transparent glass

Installation template



*from 50mm to 100mm distance from the wall for best grazing performance.

Installation template