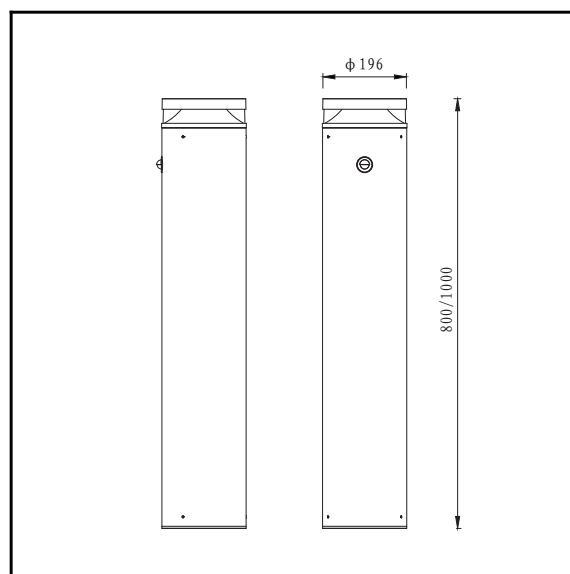




The photograph may not match the reference exactly. Please read the product description to identify the finish.



TECHNICAL CHARACTERISTICS



Product Model:	CS-233
IP Protection degrees:	IP65
IK Protection degrees:	IK08
Light source:	80 x SMD 2835
Total power consumption:	3W/0.5W
Luminous Flux:	240-270Lm
Luminous efficiency:	80-90Lm/w
Color temperature:	4000K as standard. Optinal 2700K, 3000K & 5700K. Amber LED available
Solar Panel:	4W
Lithium Battery:	3.2V 6AH
Control Mode:	PIR sensor
Net Weight(Kg)	8.8

MATERIALS / FINISHES

Structure material:	High purity aluminium	aiffuser material:	PC
Structure finish:	Black	Diffuser finish:	Transparent

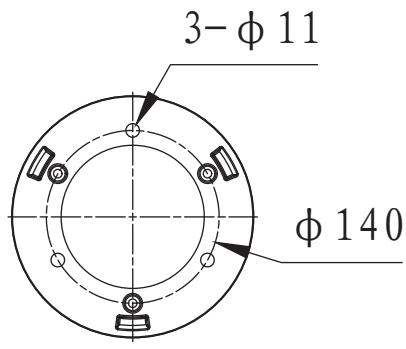
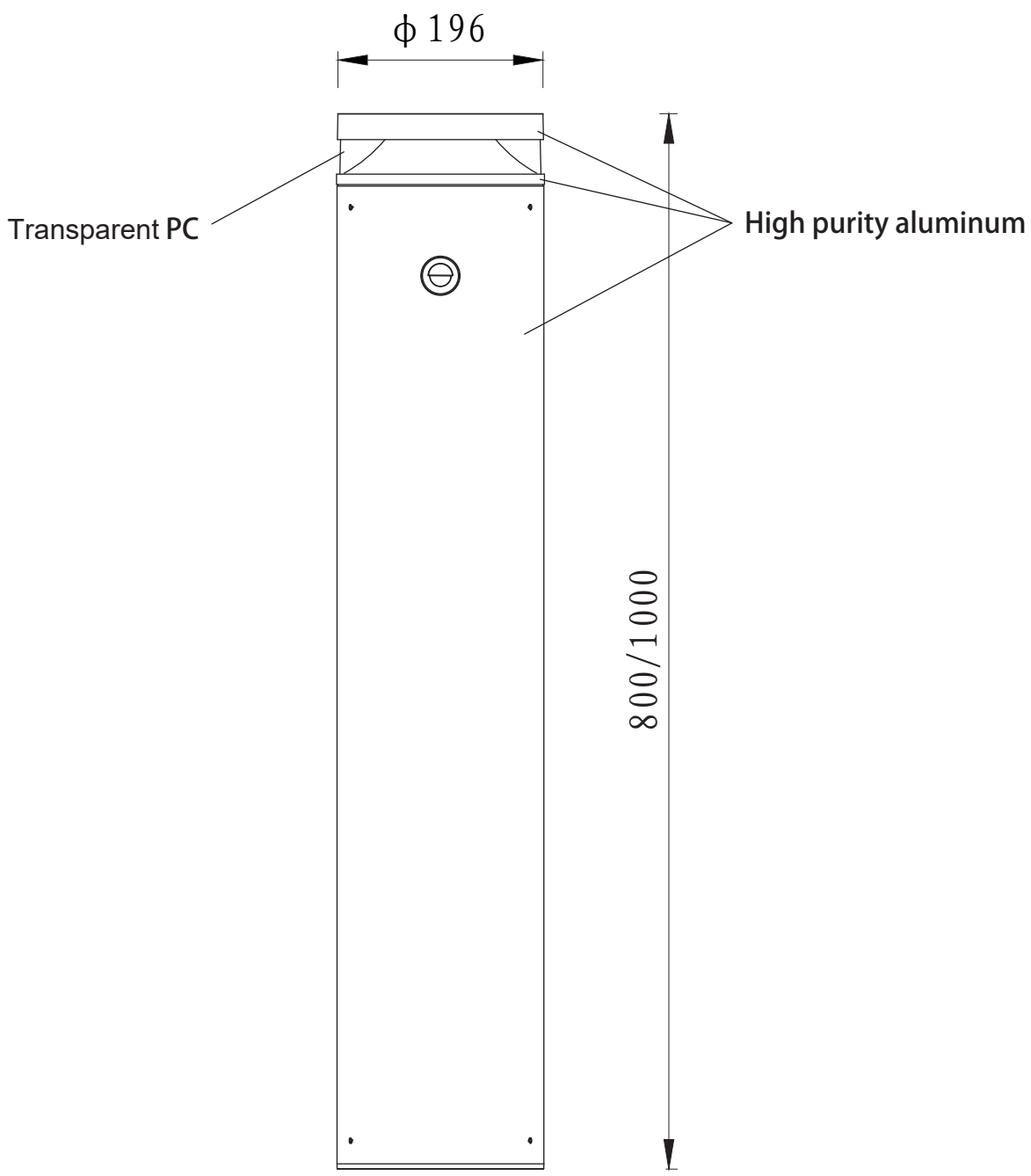
GEAR

Multi-voltage electronic gear included (100-240 V / 50-60 Hz)

Lm^(N): Nominal flow of light in actual working conditions. Its actual flow will depend on the environmental conditions and the efficiency of the optics and/or diffuser.

Kled reserves the right to make the necessary technical changes they deem adequate, in order to improve the features of the product.
Please consult the sales team to clarify any doubt.

Tel.: +86 574 62566 890
Email: info@kled.com.cn
<http://www.kled.com.cn/>



Installation template