

The photograph may not match the reference exactly.
Please read the product description to identify the finish.

TECHNICAL CHARACTERISTICS

Product Model:	M-02LED25-18	M-02LED25-18RGBW	M-02LED40-18	M-02LED40-18RGBW
IP Protection degrees:	IP67			
IK Protection degrees:	IK10			
Light source:	18 x LED NICHIA 3535	18 x RGBW	18 x LED NICHIA 3535	18 x RGBW
Total power consumption:	25W	25W	40W	40W
Luminous Flux:	2375-2500Lm	/	3800-4000Lm	/
Luminous efficiency:	95-100Lm/w	RGBW	95-100Lm/w	RGBW
power supply	DMX / DALI / ON-OFF			
Color temperature:	4000K RA80 as standard. Optinal 2700K,3000K & 5700K. Amber LED available			
Voltage/Frequency:	AC 100-240V/50-60Hz /DC 24V			
Warranty(Years):	3			
Units per box:	1			
Net Weight(Kg)	6			



MATERIALS / FINISHES

Structure material: High purity aluminium	Diffuser material: Glass
Structure finish: Black	Diffuser finish: Matt

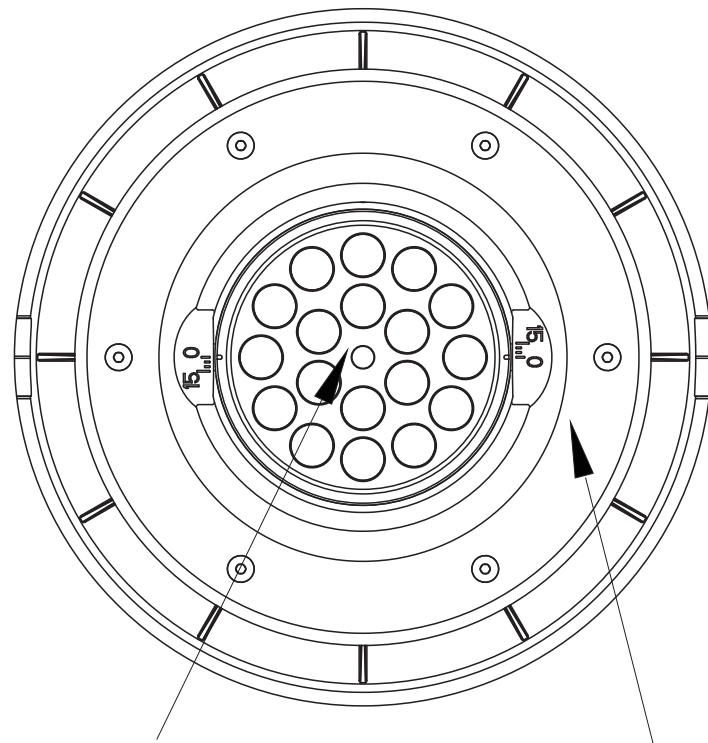
GEAR

Multi-voltage electronic gear included (100-240 V / 50-60 Hz)

Lm^(N): Nominal flow of light in actual working conditions. Its actual flow will depend on the environmental conditions and the efficiency of the optics and/or diffuser.

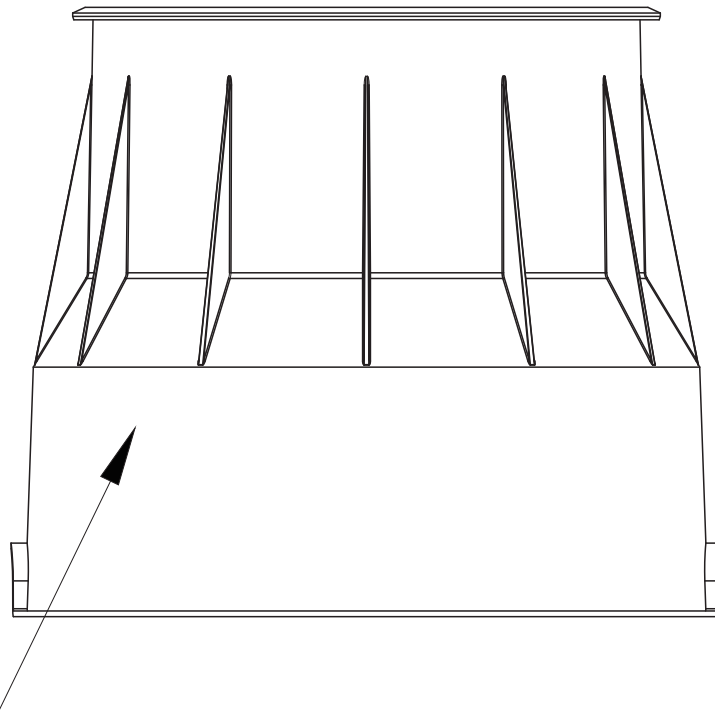
Kled reserves the right to make the necessary technical changes they deem adequate, in order to improve the features of the product.
Please consult the sales team to clarify any doubt.

Tel.: +86 574 62566 890
Email: info@kled.com.cn
http://www.kled.com.cn/



Transparent glass

Stainless Steel 304



Plastic material

Installation template

