

The photograph may not match the reference exactly. Please read the product description to identify the finish.

TECHNICAL CHARACTERISTICS



Product Model:	M-212LED9-49L40	M-212LED23-126L100
IP Protection degrees:	IP67	
IK Protection degrees:	IK10	
Light source:	49 x SMD 2835	126x SMD 2835
Total power consumption:	9W	23W
Luminous Flux:	450-540Lm	1150-1380Lm
Luminous efficiency:	50-60Lm/w	
Color temperature:	4000K RA80 as standard.Optinal 2700K,3000K . Amber LED available	
Voltage/Frequency:	24V DC	
Warranty (Years):	5	
Units per box:	1	
Net Weight(Kg)	2.2	5.4

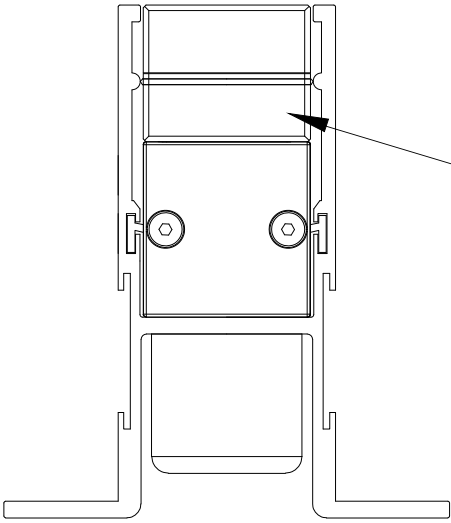
MATERIALS / FINISHES

Structure material: High purity aluminium	Aiffuser material: Glass
Structure finish: Silver	Diffuser finish: Transparent

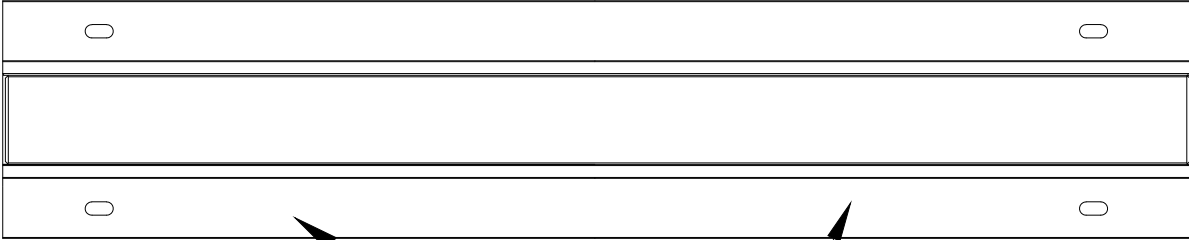
Lm^(N): Nominal flow of light in actual working conditions. Its actual flow will depend on the environmental conditions and the efficiency of the optics and/or diffuser.

Kled reserves the right to make the necessary technical changes they deem adequate, in order to improve the features of the product.
Please consult the sales team to clarify any doubt.

Tel.: +86 574 62566 890
Email: info@kled.com.cn
http://www.kled.com.cn/



Transparent glass



High purity aluminum

Installation template