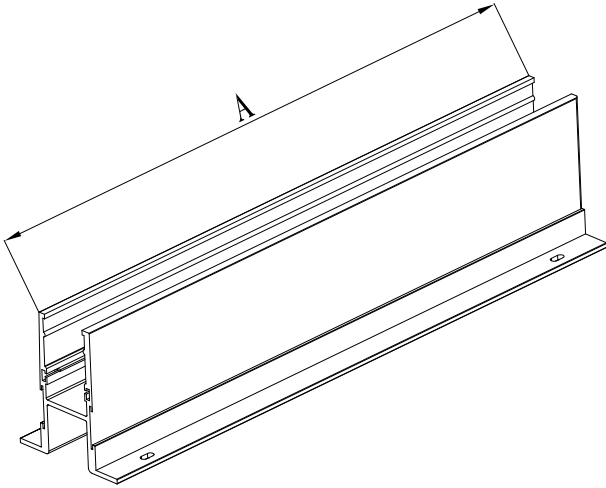
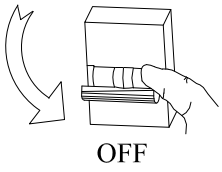


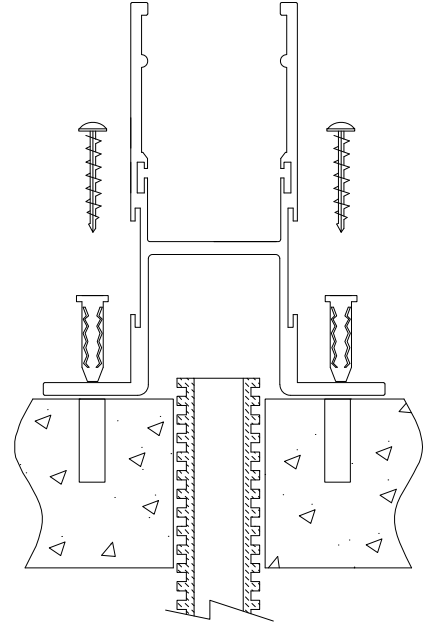
OUTDOOR

①



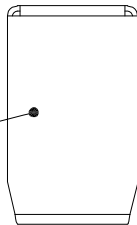
A 400
A 1000

②

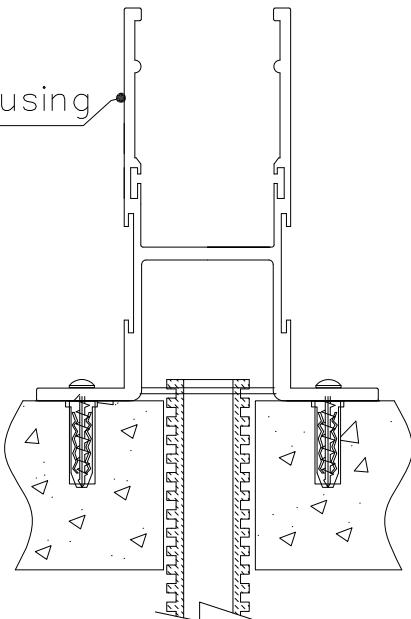


③

HOUSING COVER



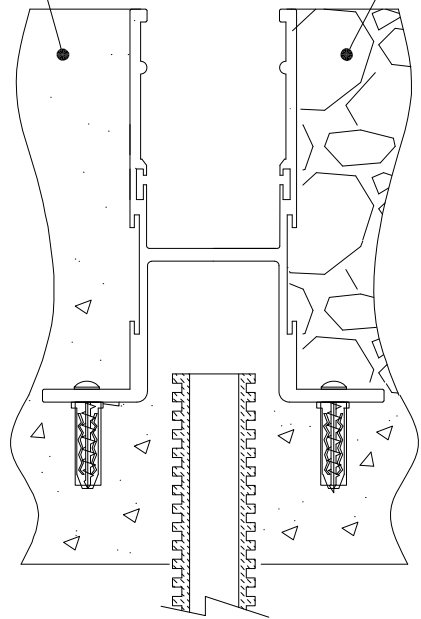
Installation housing



④

CONCRETE

GRAVEL

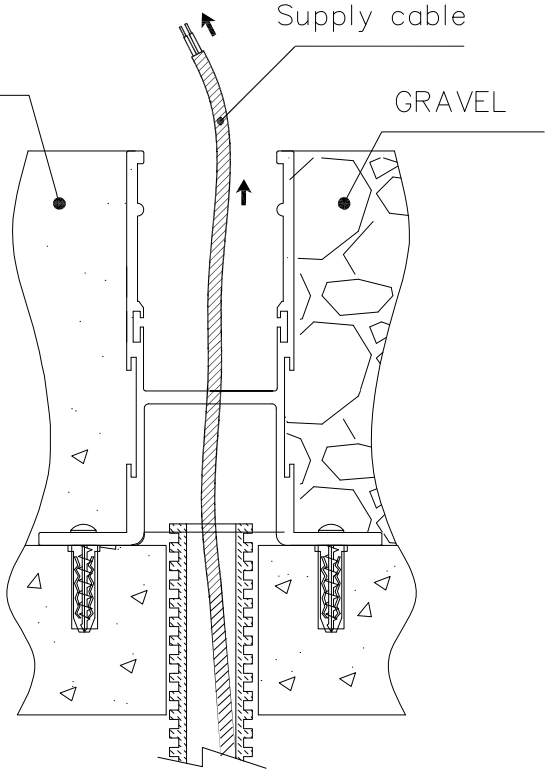


5

CONCRETE

Supply cable

GRAVEL



6

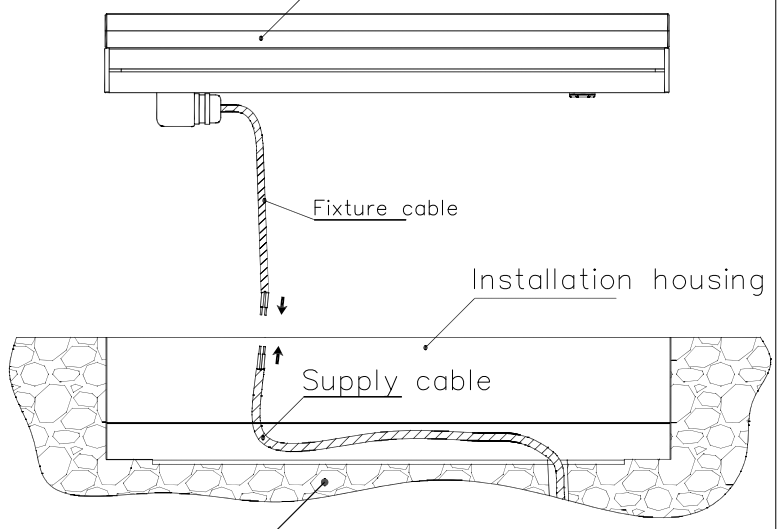
Fixture

Fixture cable

Installation housing

Supply cable

Concrete



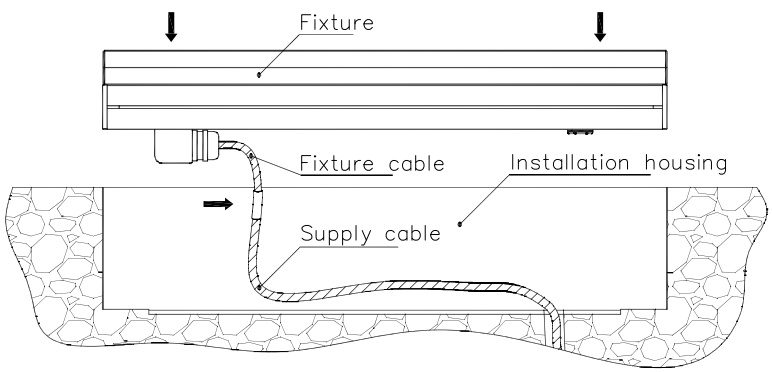
7

Fixture

Fixture cable

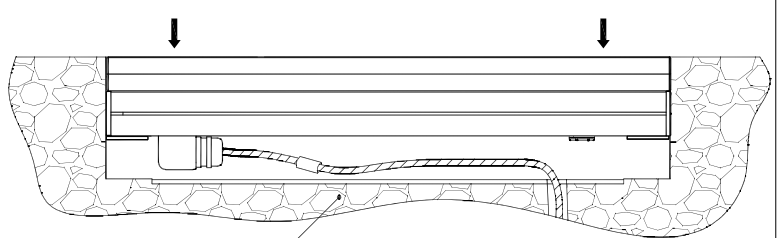
Installation housing

Supply cable



8

Concrete



ON

