

The photograph may not match the reference exactly. Please read the product description to identify the finish.

TECHNICAL CHARACTERISTICS



| | |
|--------------------------|---|
| Product Model: | C-243LED20-28 |
| IP Protection degrees: | IP66 |
| IK Protection degrees: | IK09 |
| Light source: | 28 x LUXEON 3030 |
| Total power consumption: | 20W |
| Luminous Flux: | 1200-1400Lm |
| Luminous efficiency: | 60-70Lm/w |
| Color temperature: | 4000K as standard. Optinal 2700K,3000K & 5700K. Amber LED available |
| Voltage/Frequency: | 220-240V/50-60Hz |
| Warranty(Years): | 3 |
| Units per box: | 1 |
| Net Weight(Kg) | 7.5 |

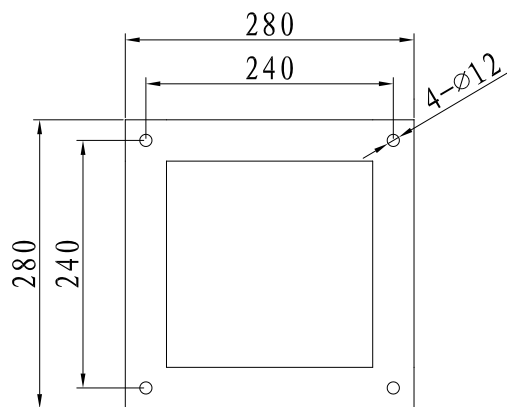
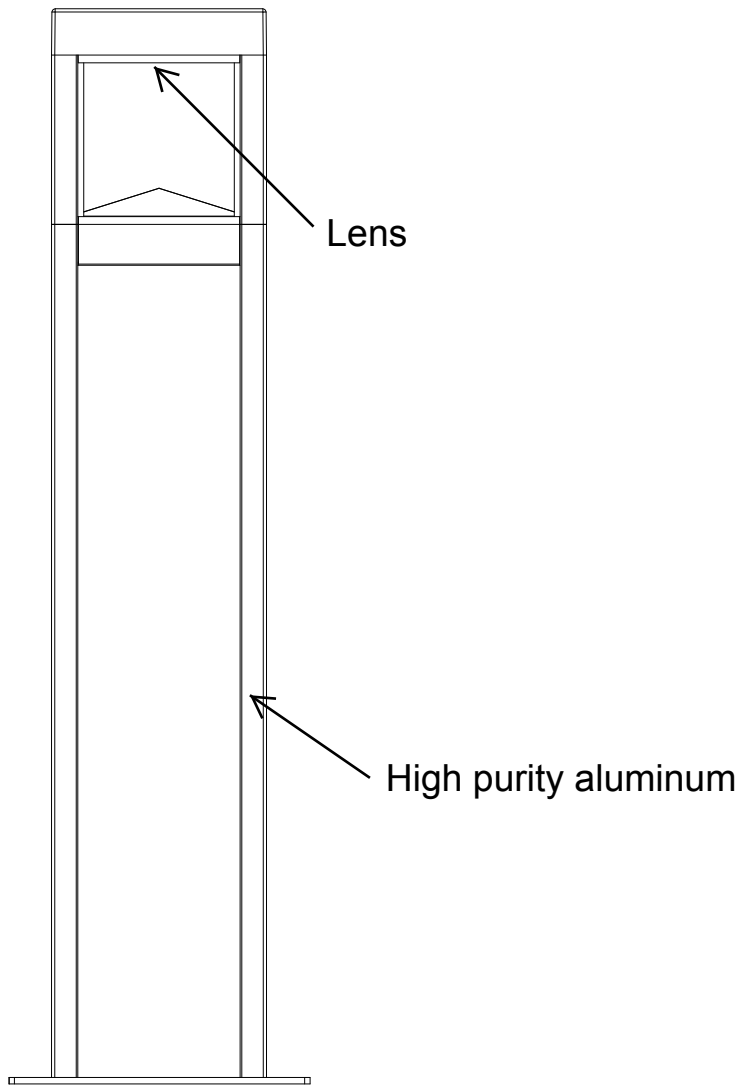
MATERIALS / FINISHES

| | |
|--|-------------------------------------|
| Structure material: High purity aluminium | Aiffuser material: PMMA |
| Structure finish: Black | Diffuser finish: Transparent |

GEAR

Multi-voltage electronic gear included (220-240 V / 50-60 Hz)

Lm^(N): Nominal flow of light in actual working conditions. Its actual flow will depend on the environmental conditions and the efficiency of the optics and/or diffuser.



installation template