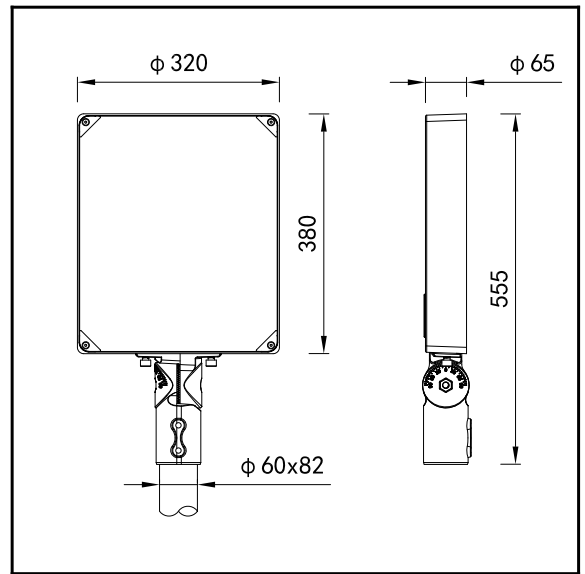




The photograph may not match the reference exactly. Please read the product description to identify the finish.



TECHNICAL CHARACTERISTICS



Product Model:	D-241LED40-24	D-241LED60-24	D-241LED75-32	D-241LED100-48
IP Protection degrees:	IP66			
IK Protection degrees:	IK08			
Light source:	24x LED CREE / 24x LUXEON 5050	32x LED CREE / 32x LUXEON 5050	48x LED SMD 3535	
Total power consumption:	40W	60W	75W	100W
Luminous Flux:	5200-6000Lm	7800-9000Lm	9750-11250Lm	13000-15000Lm
Luminous efficiency:	130-150Lm/w			
power supply	1-10V/DALI 2.0 (D4i)/ON-OFF			
Color temperature:	3000K as standard. Optinal 2700K,4000K & 5700K. Amber LED available			
Voltage/Frequency:	100-240V/50-60Hz			
Warranty(Years):	5			
Units per box:	1			
Net Weight(Kg)	6.7			

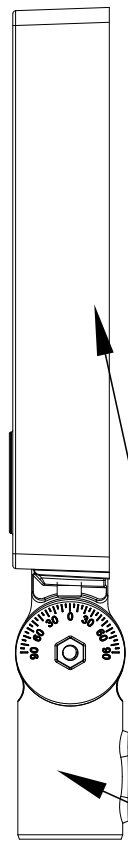
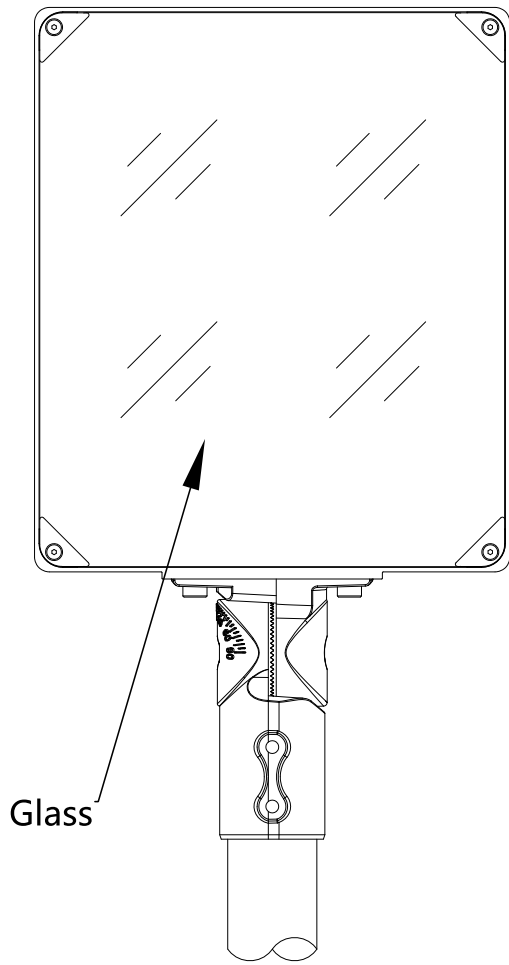
MATERIALS / FINISHES

Structure material: High purity aluminium	Diffuser material: Glass
Structure finish: Silver	Diffuser finish: Transparent

GEAR

Multi-voltage electronic gear included (100-240 V / 50-60 Hz)

Lm^(N): Nominal flow of light in actual working conditions. Its actual flow will depend on the environmental conditions and the efficiency of the optics and/or diffuser.



Glass

High purity aluminum

Installation template