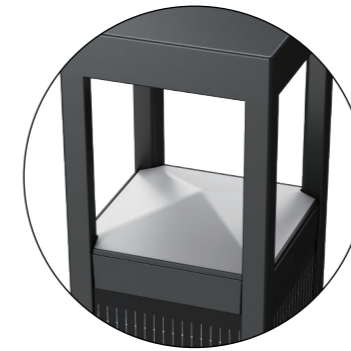




**太阳能四方草坪灯**  
**Solar Square**  
**Bollard Lighting**

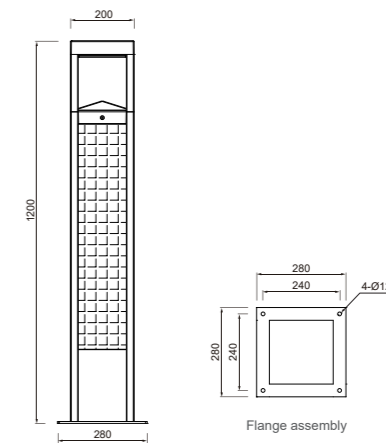


- 铝压铸盖帽，铝合金拉伸灯体，可根据需要截取不同高度
- 顶部光源搭配PC扩散板，具有很高视觉舒适性
- 高透光PC透镜，具有高视觉舒适性和均匀配光，供多种不同配光选择
- 采用通常用于电动客车的LiFePO<sub>4</sub>电池
- 防紫外线聚氨酯塑粉喷涂表面，耐腐蚀可以达1000小时以上
- 一体化包装，运输方便
- 低电压设计，安全可靠

- Aluminum die casting cover, extruded aluminum body, it can be cut different height.
- Top light source with PC diffuser for high visual comfort.
- Optics with PC lens with high visual comfortable and uniform lighting distribution,multiple light distribution options.
- With LiFePO<sub>4</sub> battery which usually apply for electric bus.
- Surface anti-ultraviolet pure polyester powder painting.
- Integrated package, convenient transportation.
- Low voltage design, safe and Reliable.



CS-243



灯具型号 Model	额定功率 Rated Power	LED灯珠 LED Chips	太阳能板 Solar PV	电池 LiFePO <sub>4</sub> Battery	光通量 Luminous	控制方式 Control Mode	工作时间 Discharging Time
CS-243-H120	10W	5050*16pcs	18V / 22W*4	154WH / 3.2V 48AH	650 lm	Timing control	>3 days