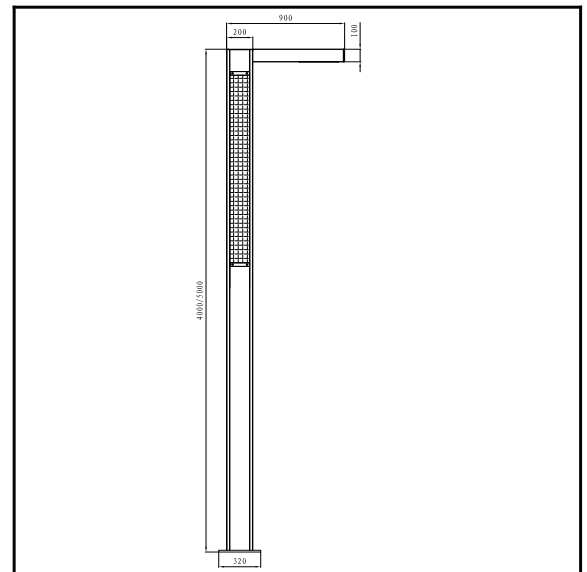




The photograph may not match the reference exactly.
Please read the product description to identify the finish.



TECHNICAL CHARACTERISTICS



Product Model:	TS-243LED30-16
IP Protection degrees:	IP66
IK Protection degrees:	IK08
Light source:	16 x SMD 5050
Rated Power:	30W
Luminous Flux:	4200-4500Lm
Luminous efficiency:	140-150Lm/w
Color temperature:	4000K as standard. Optinal 2700K, 3000K & 5700K. Amber LED available
Solar Panel:	18V/160W
Lithium Battery:	384WH/12.8V 30AH/LiFePO4 Battery
Control Mode:	Timing control
Discharging Time	>3 days
Weight(Kg)	70

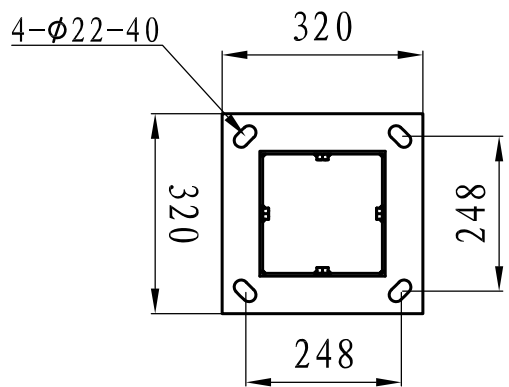
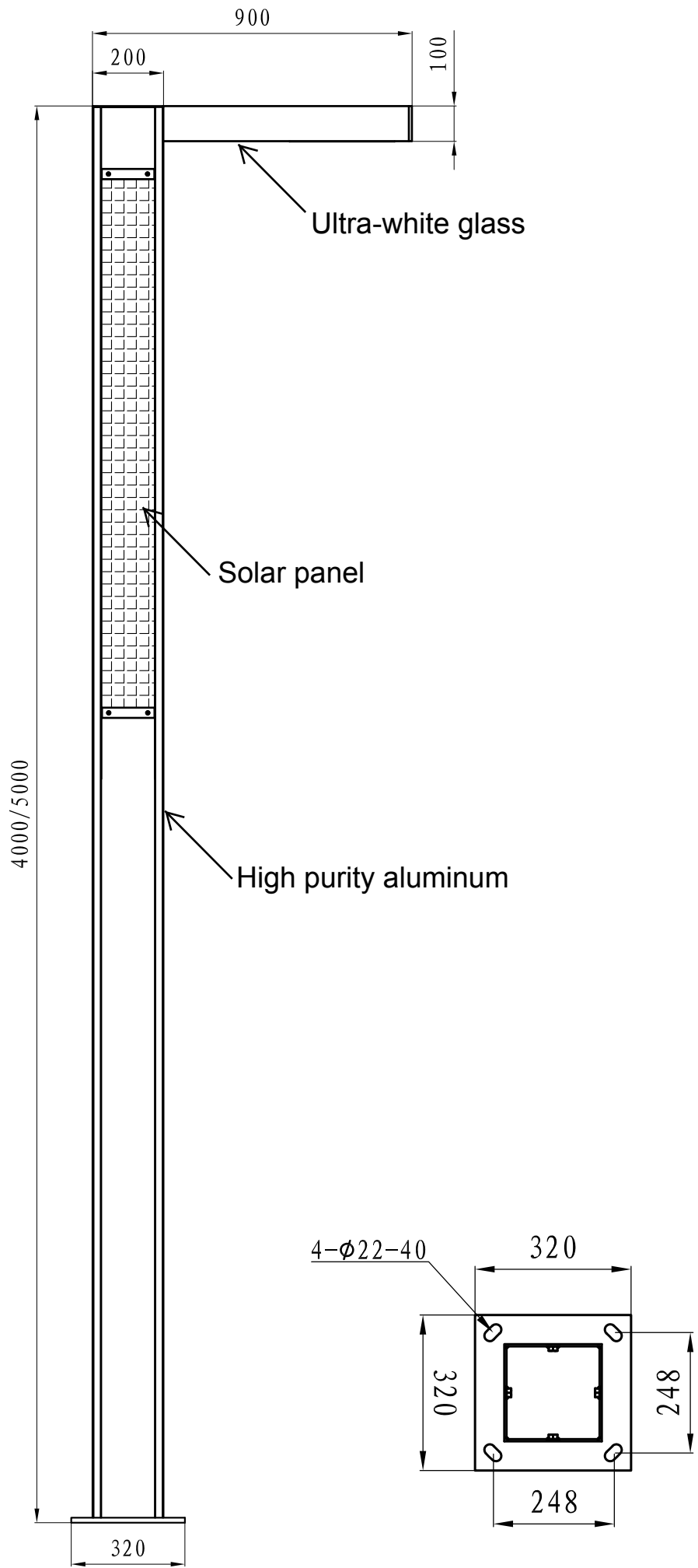
MATERIALS / FINISHES

Structure material: High purity aluminium	Aiffuser material: Glass
Structure finish: Black	Diffuser finish: Frosted

Lm^(N): Nominal flow of light in actual working conditions. Its actual flow will depend on the environmental conditions and the efficiency of the optics and/or diffuser.

Kled reserves the right to make the necessary technical changes they deem adequate, in order to improve the features of the product.
Please consult the sales team to clarify any doubt.

Tel.: +86 574 62566 890
Email: info@kled.com.cn
<http://www.kled.com.cn/>



Installation template