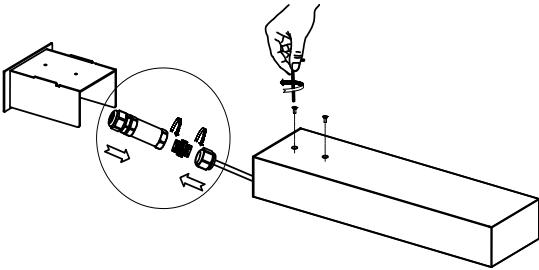
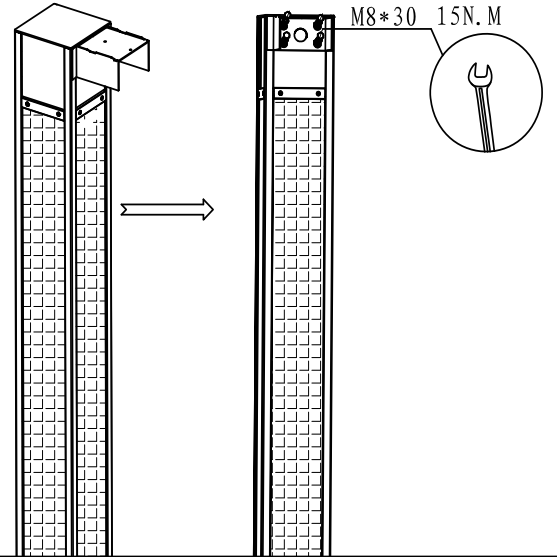


OUTDOOR

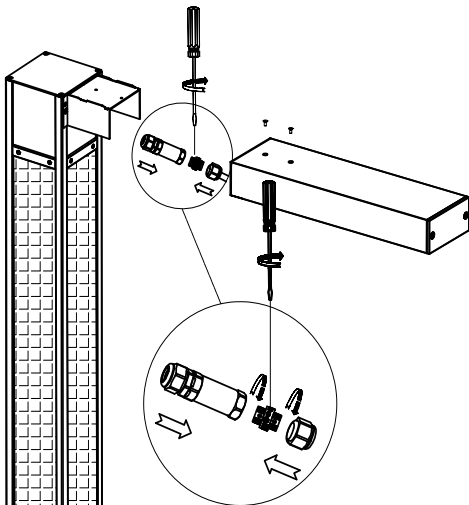
①



②

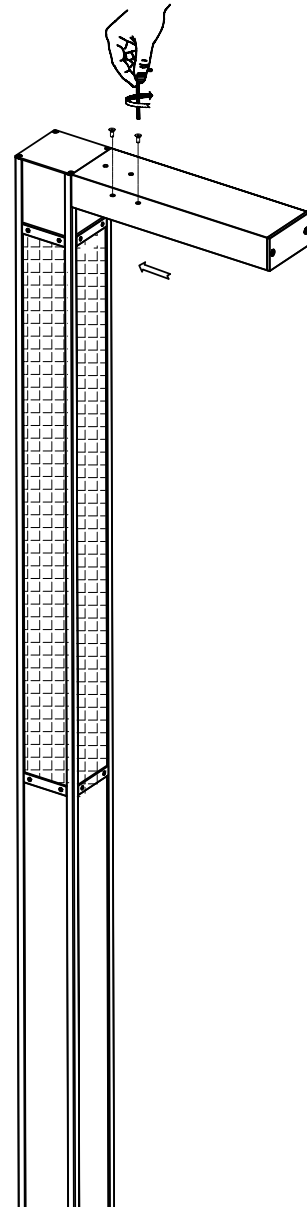


③

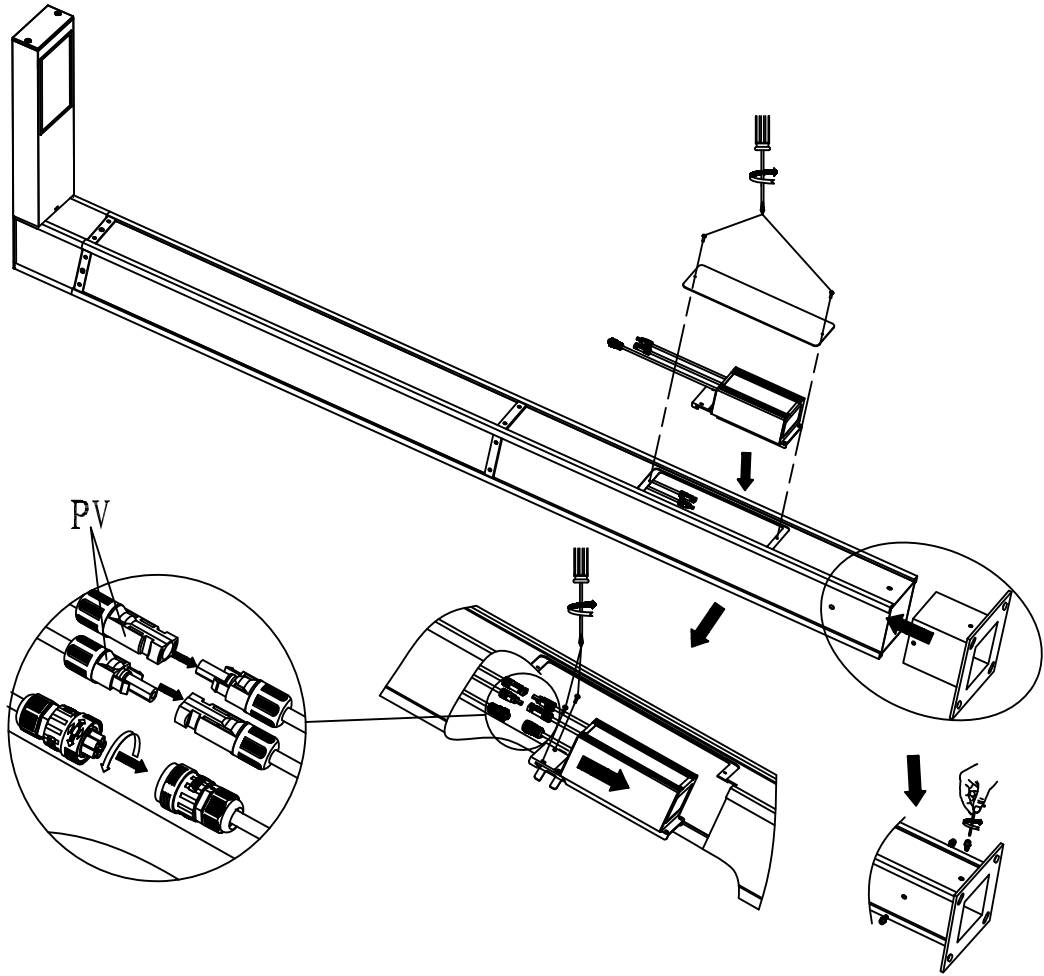


After the wiring is connected to the wiring instructions ensure that the PG gland is effectively locked to prevent water from damaging the lamp

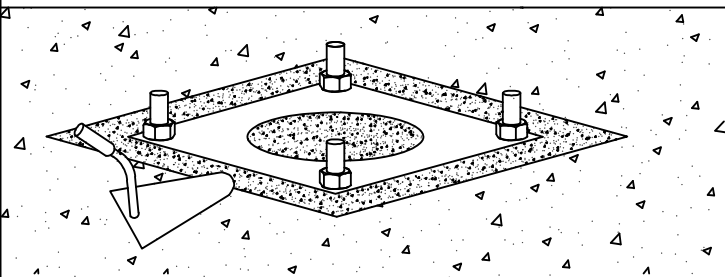
④



5



6



7

